

SPECIFICATION:

MATERIALS:

Main construction - Cast aluminium
Timbers - Hardwood
Straps - Mild steel

DIMENSIONS:

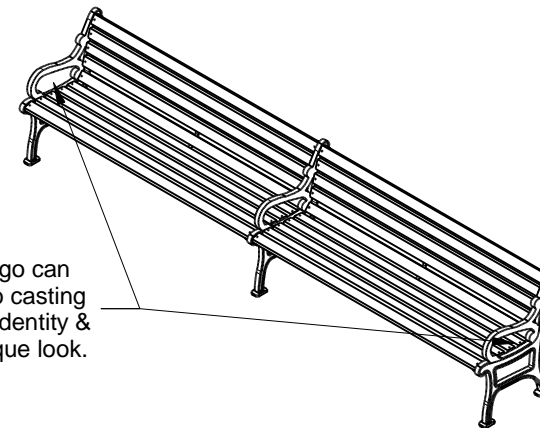
mm unless otherwise stated

FINISH:

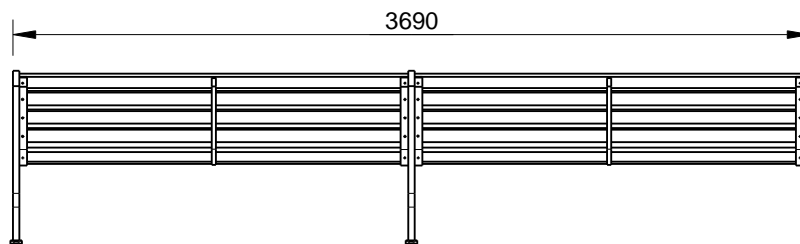
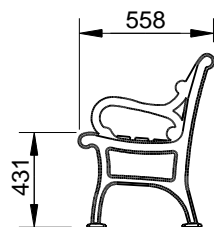
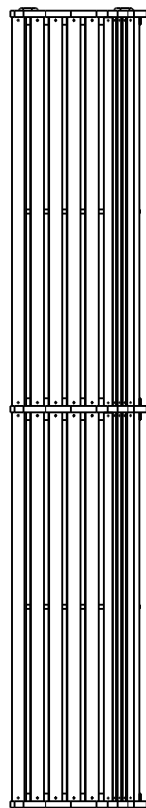
Castings - Powder coat or Mill finish
Timber - Oil based

GROUND FIXING:

Bolt down



NOTE: Optional logo can be added to casting to achieve identity & a more unique look.



© copyright

CONFIDENTIAL

REVISION #	DESCRIPTION	BY	DATE	DRAWN	DRAWN DATE	CHECKED	CHECKED DATE	SCALE	A4
								N/A	
1	ORIGINAL DRAWING	DN	19.10.10	R.CRIGTON	29.11.13				
2	FULL PRODUCT REVIEW	RBC	29.11.13						
3									
4									
5									
						COUNCIL DOUBLE SEAT SPEC.			
						FFSA002005	REV. 2	SHEET 1 OF 2	

