



Quality  
ISO 9001  
SAI GLOBAL

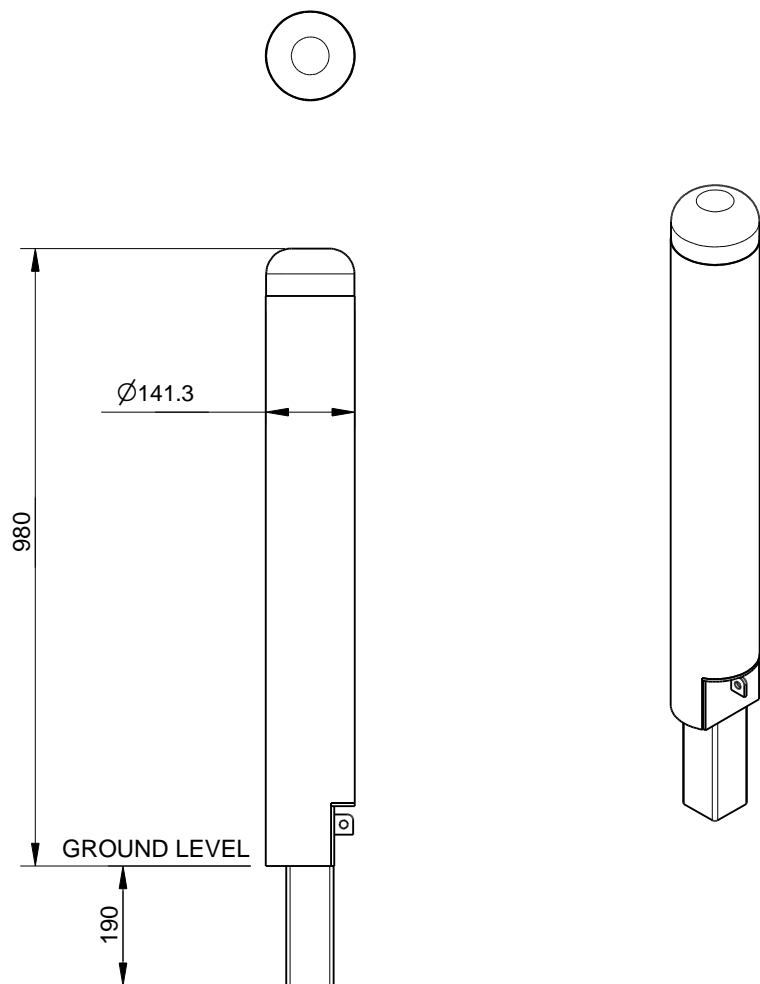
## SPECIFICATION:

**Material:**  
304 Stainless Steel

**Dimensions:**  
All in mm unless otherwise stated

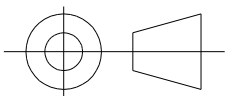
**Finish:**  
Polished

**Ground Fixings:**  
Removable.  
Attaches to in ground component (FFSB008036)



CONFIDENTIAL

REVISION #	DESCRIPTION	BY	DATE	DRAWN	DRAWN DATE	CHECKED	CHECKED DATE	SCALE	A4
								N/A	
1	ORIGINAL DRAWING	RBC	7.3.14	R.CRIGTON	7.3.14				
2									
3									
4									
5									



STAINLESS STEEL BOLLARD 125NB - REMOVABLE SPEC.

FFSC008010

REV. 1

SHEET 1 OF 3