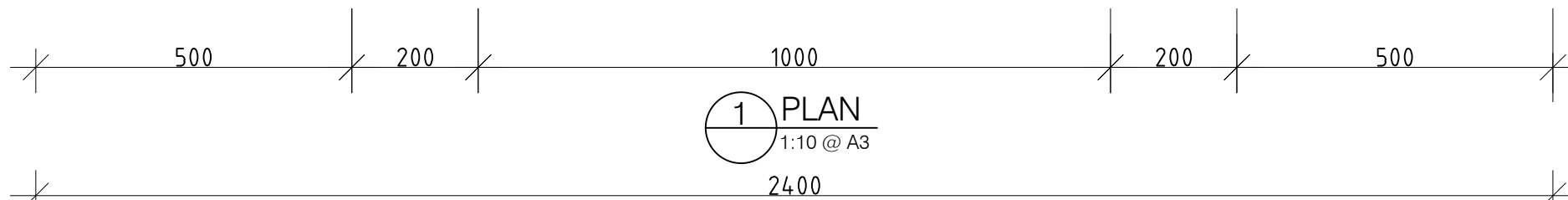
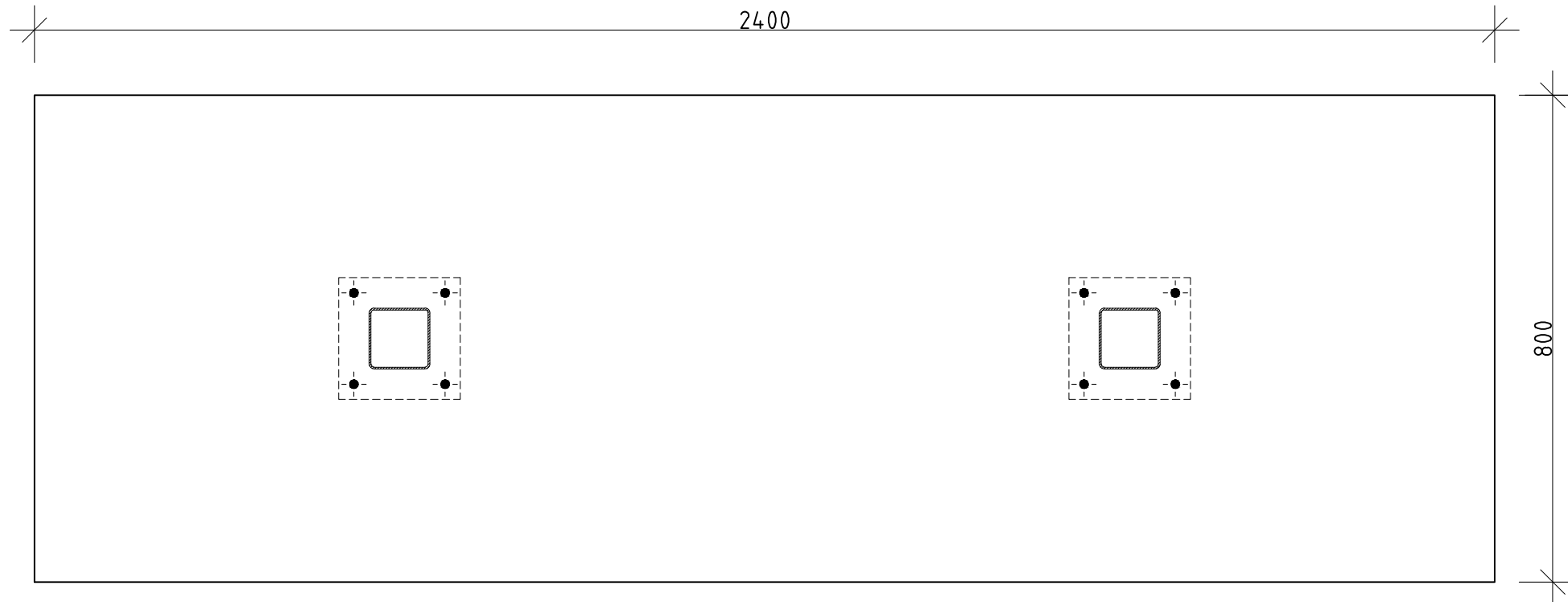


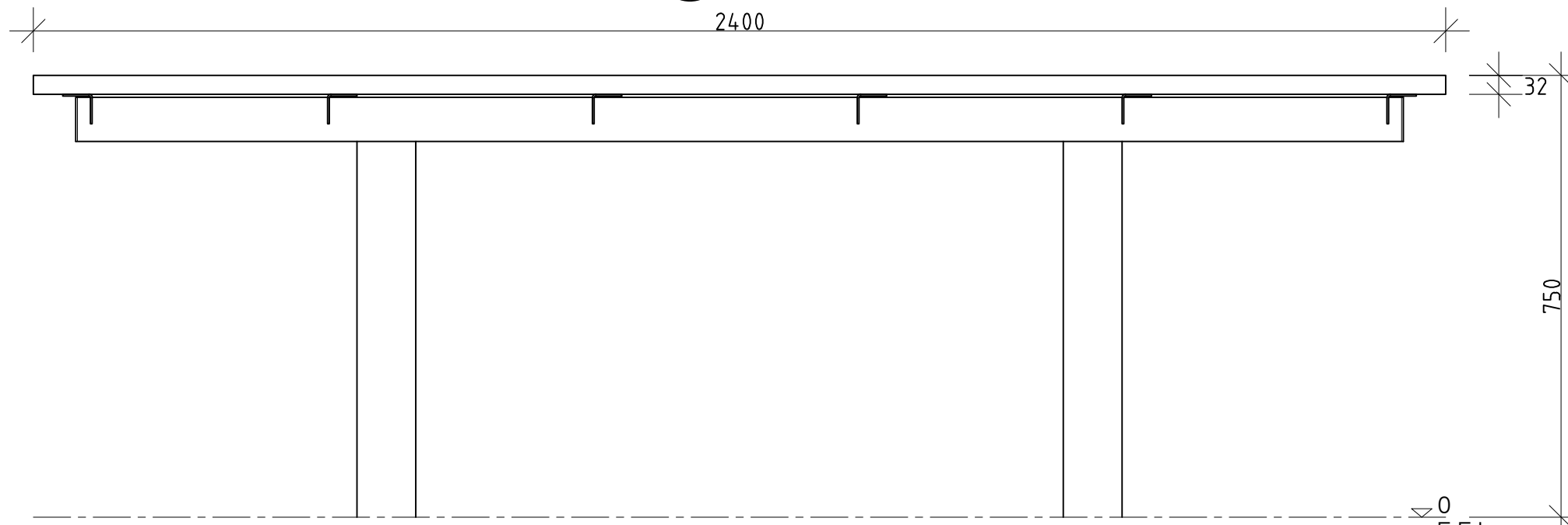
# PRECINCT STANDARD TABLE

ALL DIMENSIONS IN MILLIMETRES - DO NOT SCALE

2400mm TABLE - BOLT BELOW



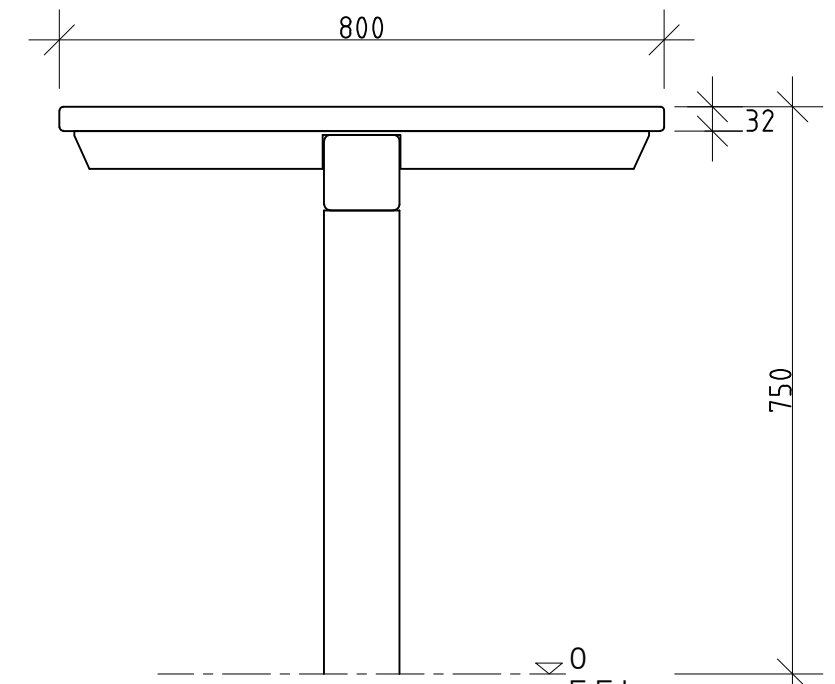
1 PLAN  
1:10 @ A3



2 FRONT ELEVATION  
1:10 @ A3



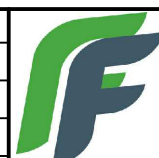
4 PERSPECTIVE  
N.T.S.



3 END ELEVATION  
1:10 @ A3

REVISION	DATE:	DRAWN BY.
6	-	-
5	-	-
4	-	-
3	-	-
2	-	-
1	-	-

DATE:	DRAWN BY.
-	-
-	-
-	-
-	-
-	-
-	-



© FURPHY FOUNDRY PTY LTD  
THIS DOCUMENT IS AND SHALL REMAIN THE PROPERTY OF FURPHY FOUNDRY. UNAUTHORISED USE OF THIS DOCUMENT IN ANY FORM IS PROHIBITED.



Furphy Foundry Pty Ltd  
A.B.N. 24 007 195 913  
21 Drummond Rd, Shepparton VIC 3630  
PH: (03) 5831 2777  
FAX: (03) 5831 2681  
www.furphyfoundry.com.au  
sales@furphyfoundry.com.au

CLIENT NAME <b>FURPHY FOUNDRY</b>	PROJECT No. <b>FFSB003500</b>	PAGE <b>A3</b>
PROJECT <b>PRECINCT RANGE PRECINCT TABLE - 2400mm</b>	DATE: <b>18-12-19</b>	DRAWN <b>PS</b>
DRAWING TITLE <b>PRELIMINARY</b>	DRAWING No. <b>FFSB003500</b>	SCALE <b>NOTED</b>
	SHEET No. <b>001</b>	REV. <b>0</b>

PROJECT No. <b>FFSB003500</b>	PAGE <b>A3</b>
DATE: <b>18-12-19</b>	DRAWN <b>PS</b>
DRAWING No. <b>FFSB003500</b>	SCALE <b>NOTED</b>
SHEET No. <b>001</b>	REV. <b>0</b>