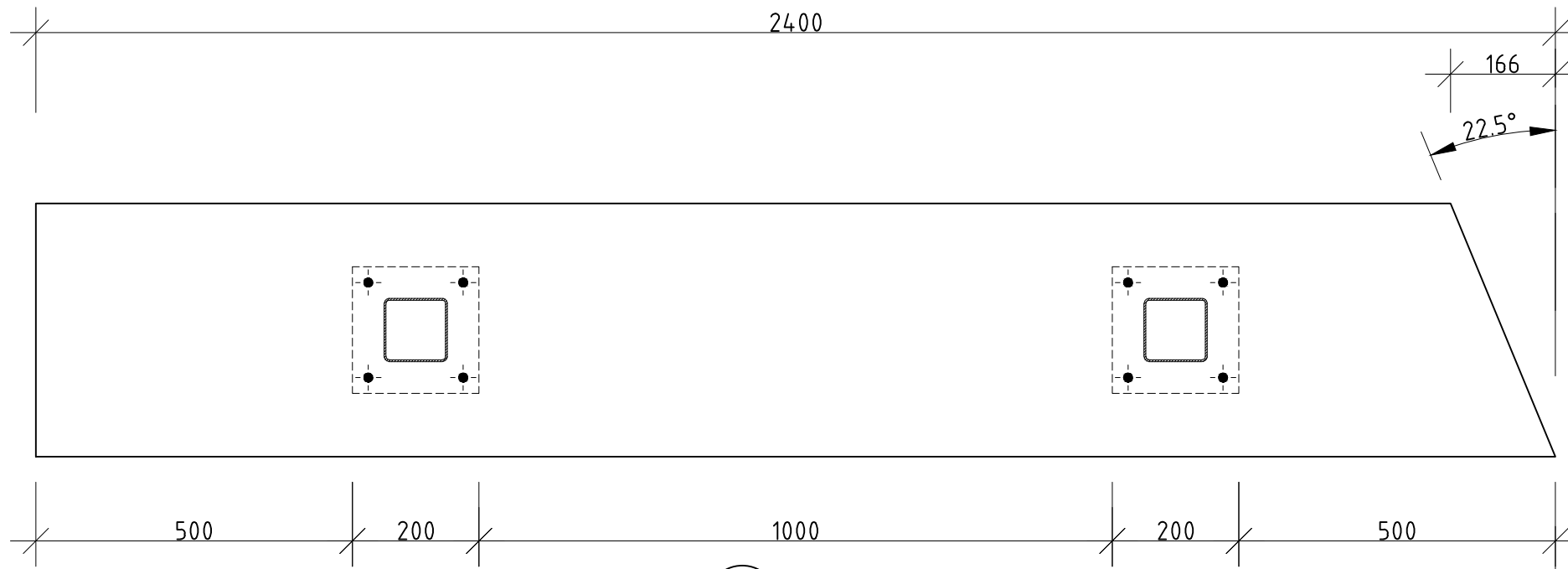


PRECINCT STANDARD BENCH - 22D

2400mm BENCH - BOLT BELOW

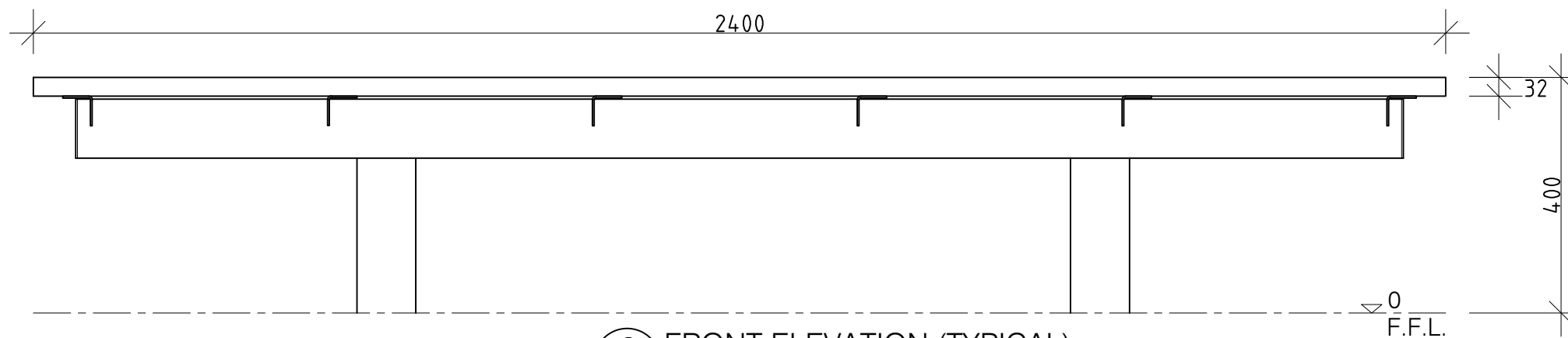
ALL DIMENSIONS IN MILLIMETRES - DO NOT SCALE



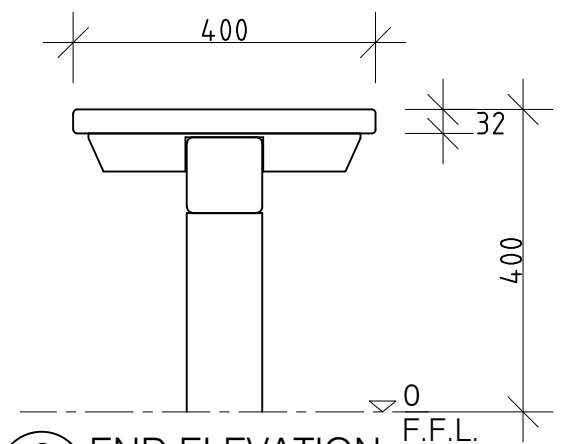
1 PLAN
1:10 @ A3



4 PERSPECTIVE
N.T.S.

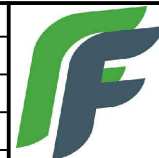


2 FRONT ELEVATION (TYPICAL)
1:10 @ A3



3 END ELEVATION
1:10 @ A3

REVISION	DATE:	DRAWN BY.
6	-	-
5	-	-
4	-	-
3	-	-
2	-	-
1	-	-



© FURPHY FOUNDRY PTY LTD
THIS DOCUMENT IS AND SHALL REMAIN THE PROPERTY OF FURPHY FOUNDRY. UNAUTHORISED USE OF THIS DOCUMENT IN ANY FORM IS PROHIBITED.



Furphy Foundry Pty Ltd
A.B.N. 24 007 195 913
21 Drummond Rd,
Shepparton VIC 3630
PH: (03) 5831 2777
FAX: (03) 5831 2681
www.furphyfoundry.com.au
sales@furphyfoundry.com.au

CLIENT NAME	PROJECT No.	PAGE
FURPHY FOUNDRY	FFSB001501	A3
PROJECT	DATE:	DRAWN
PRECINCT RANGE PRECINCT BENCH - 2400mm 22D	18-12-19	PS
DRAWING TITLE	DRAWING No.	SCALE
PRELIMINARY	FFSB001501	NOTED
	SHEET No.	REV.
	001	0