

ALL DIMENSIONS IN MILLIMETRES - DO NOT SCALE

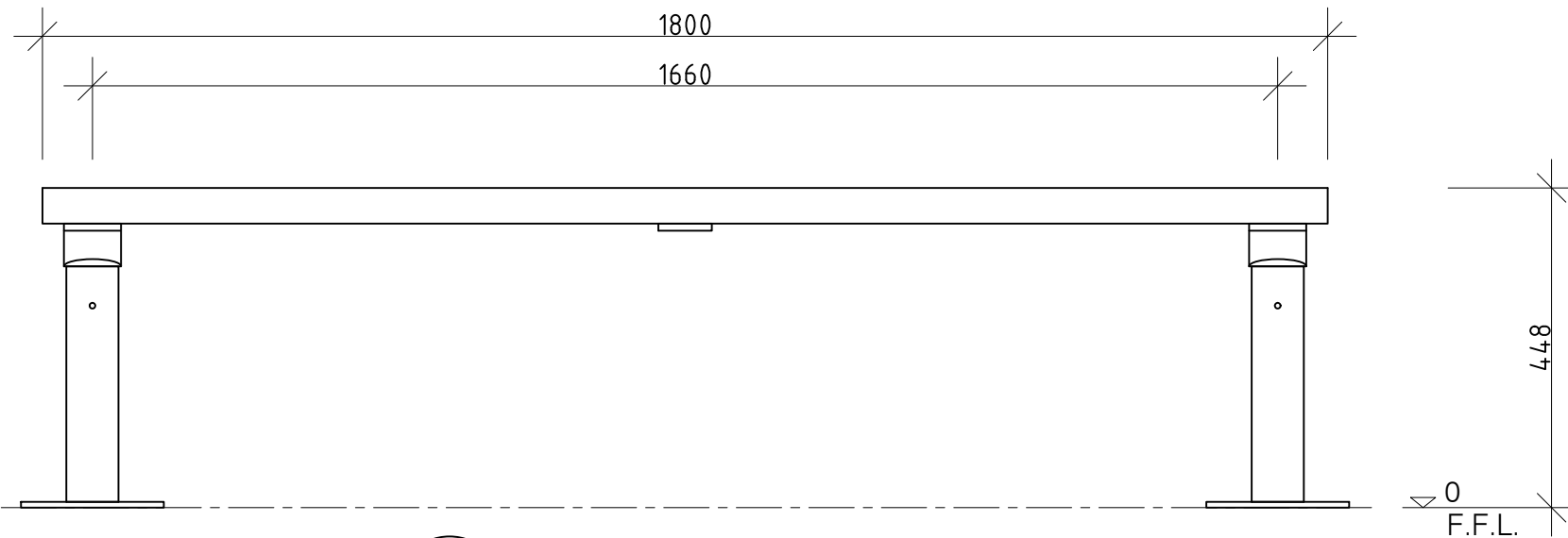
PROMENADE SETTING SERIES

FFSA001012 1800mm BENCH - BOLT DOWN

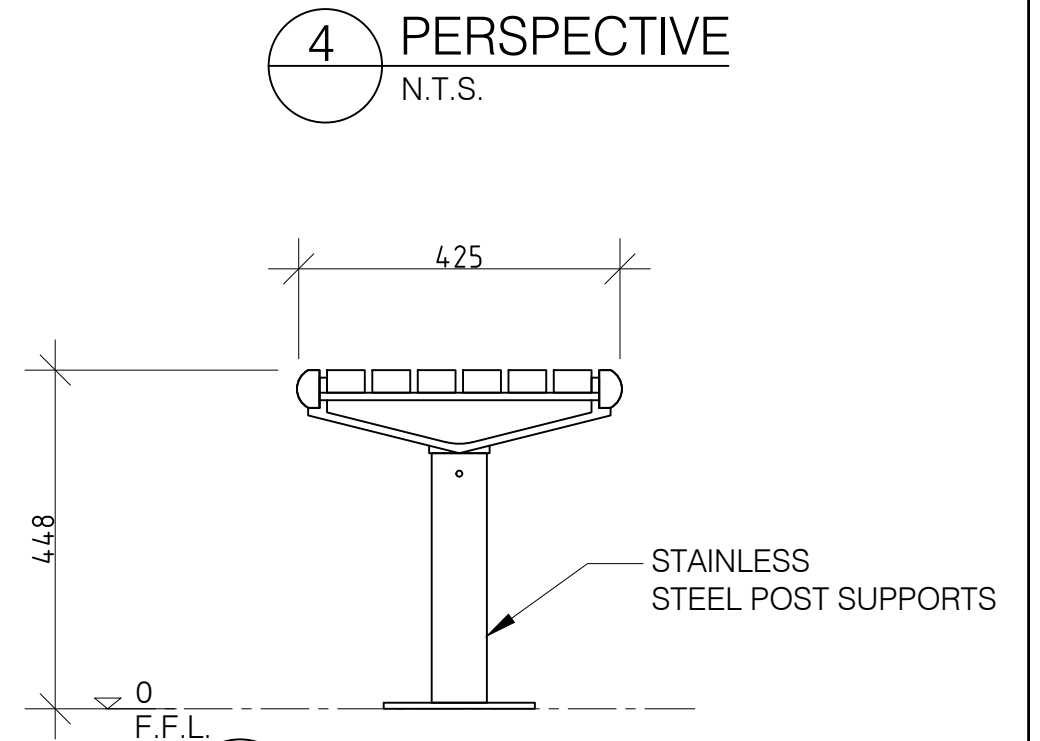
Slats available in:
Hardwood Timber (FFSA001012)
Aluminium (FFSA001012A)



1 PLAN
1:10 @ A3




2 FRONT ELEVATION
1:10 @ A3



4 PERSPECTIVE
N.T.S.

3 END ELEVATION
1:10 @ A3

REVISION	DATE:	DRAWN BY:	 FURPHY <small>FOUNDRY EST. 1864</small> © FURPHY FOUNDRY PTY LTD THIS DOCUMENT IS AND SHALL REMAIN THE PROPERTY OF FURPHY FOUNDRY. UNAUTHORISED USE OF THIS DOCUMENT IN ANY FORM IS PROHIBITED.	CLIENT NAME	PROJECT No.	PAGE	
6				 FURPHY <small>FOUNDRY EST. 1864</small> Furphy Foundry Pty Ltd PH: (03) 5831 2777 A.B.N. 24 007 195 913 FAX: (03) 5831 2681 21 Drummond Rd, www.furphyfoundry.com.au Shepparton VIC 3630 sales@furphyfoundry.com.au	FURPHY FOUNDRY	FFSA001012	A3
5				PROMENADE BENCH - BOLT DOWN	DATE:	17-04-19	DRAWN PS
4				-	DRAWING No.	027	SCALE NOTED
3				PRELIMINARY	SHEET No.	001	REV. 1
2							
1							