



Quality
ISO 9001
SAI GLOBAL

SPECIFICATION:

MATERIALS:

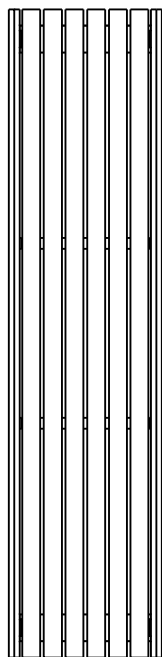
Bench Ends - Recycled Cast Aluminium
Slats - Hardwood Timber or Aluminium
Straps - Grade 304 Stainless steel
Fixings - Grade 304 Stainless steel

DIMENSIONS:

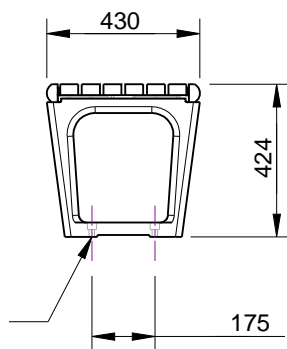
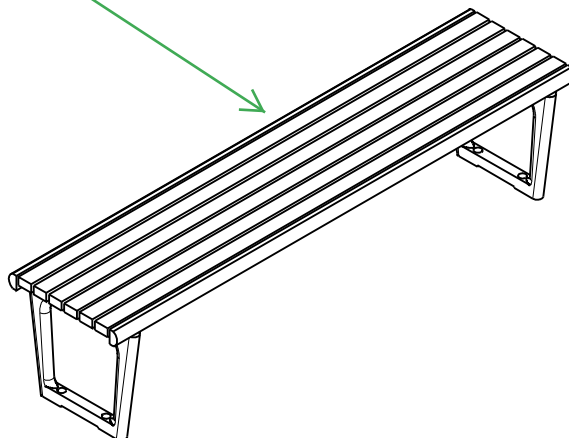
All in mm unless otherwise stated

FINISH:

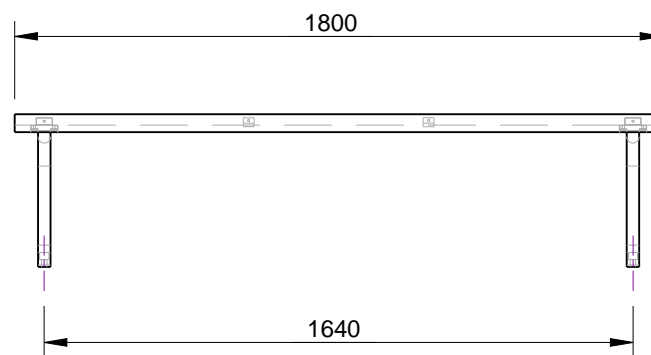
Castings - Mill Finish or Powdercoat
Timber - Oil Based



Slats available in Hardwood Timber (FFSA001010) or Aluminium (FFSA001001A)

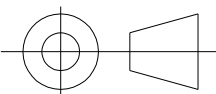


BOLT DOWN DETAIL
Ø15 THRU
Ø25 C.B. 15 DEEP
4 LOCATIONS



CONFIDENTIAL

REVISION	#	DESCRIPTION	BY	DATE	DRAWN	DRAWN DATE	CHECKED	CHECKED DATE	SCALE	A4
	1	ORIGINAL DRAWING	DN	20.9.10	R.CRIGTON	26.11.13			N/A	
2	FULL PRODUCT REVIEW	RBC	26.11.13							
3										
4										
5										



METRO BENCH
SPEC.

FFSA001001 - Timber slats
FFSA001001A - Aluminium slats

REV.
2

SHEET
1 OF 4