

**SPECIFICATION:**

**MATERIAL:**

Main construction - Mild Steel & Timber  
Sheeting - Colourbond Corrugated BMT 0.42mm 762mm

**DIMENSIONS:**

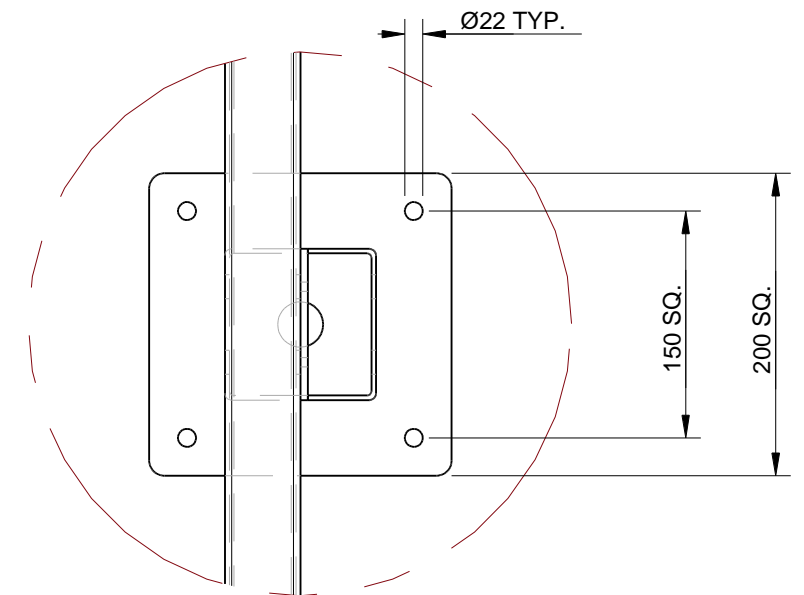
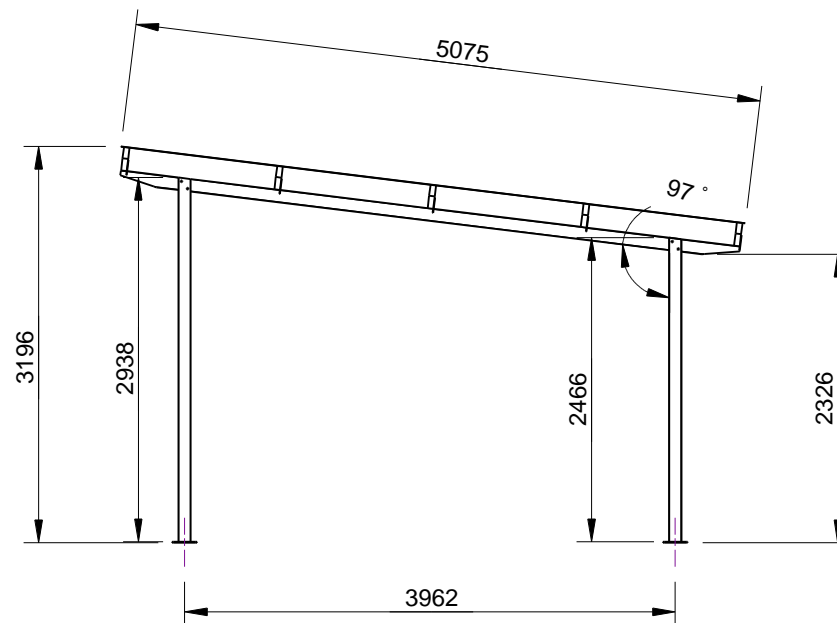
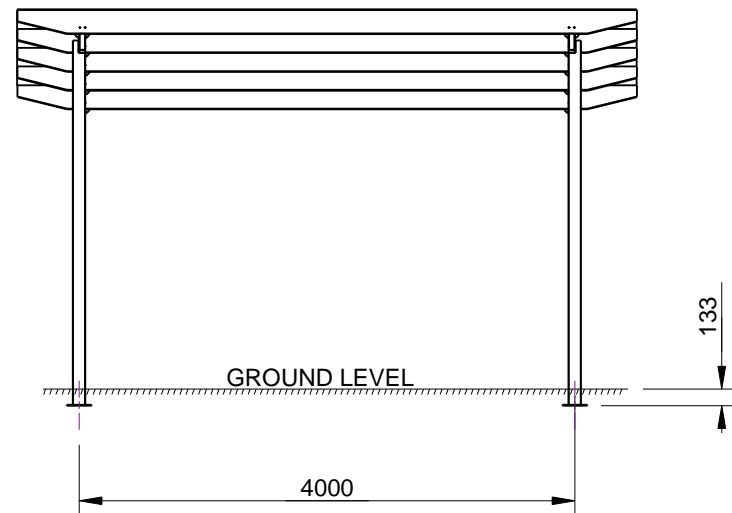
mm unless otherwise stated

**FINISH:**

Steel - Galvanised with optional powdercoat  
Sheeting - Colourbond (optional colours)  
Timber - Treated Pine

**GROUND ATTACHEMENT:**

Bolt down (Sub surface)



Detail A  
BOLT DOWN DETAIL  
ROOF HIDDEN FOR CLARRITY

REVISION #	DESCRIPTION	BY	DATE	DRAWN	DRAWN DATE	CHECKED	CHECKED DATE	SCALE
1	ORIGINAL DRAWING	SJ	20.10.10	R.CRUGHTON	4.3.14			N/A
2	FULL PRODUCT REVIEW	RBC	3.4.14					
3								
4								
5								



**FURPHY**  
FOUNDRY EST. 1864

PROVINCIAL SHELTER (5x5)  
SPEC.

FFSB005018

REV. 2

SHEET 1 OF 3