

SPECIFICATION:

MATERIAL:

Main construction - Mild Steel & Timber
Sheeting - Colourbond Corrugated BMT 0.42mm 762mm

DIMENSIONS:

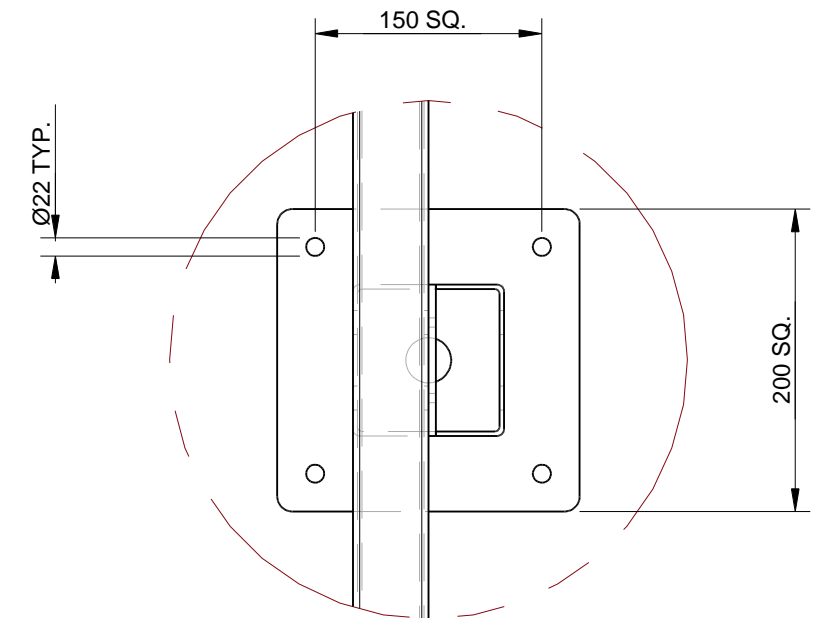
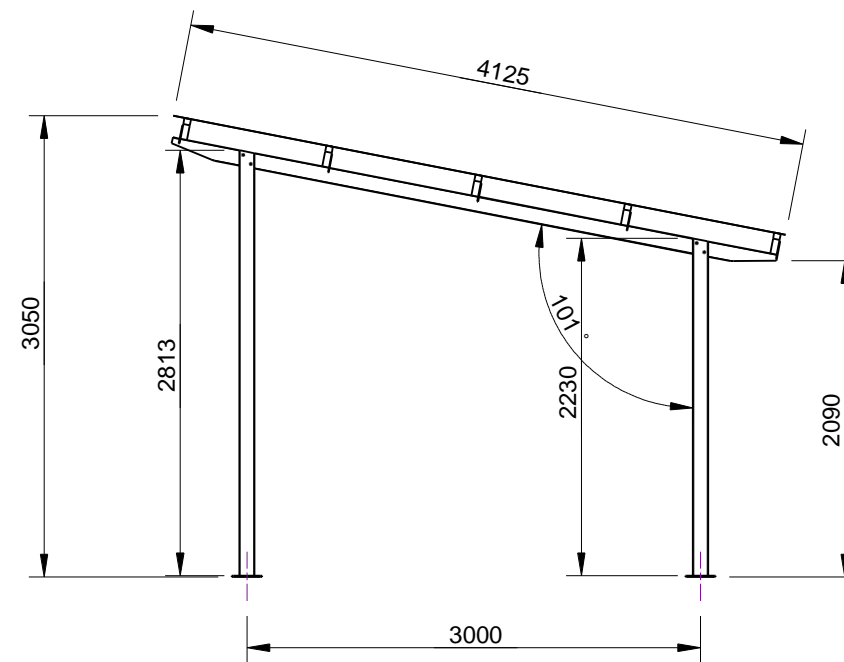
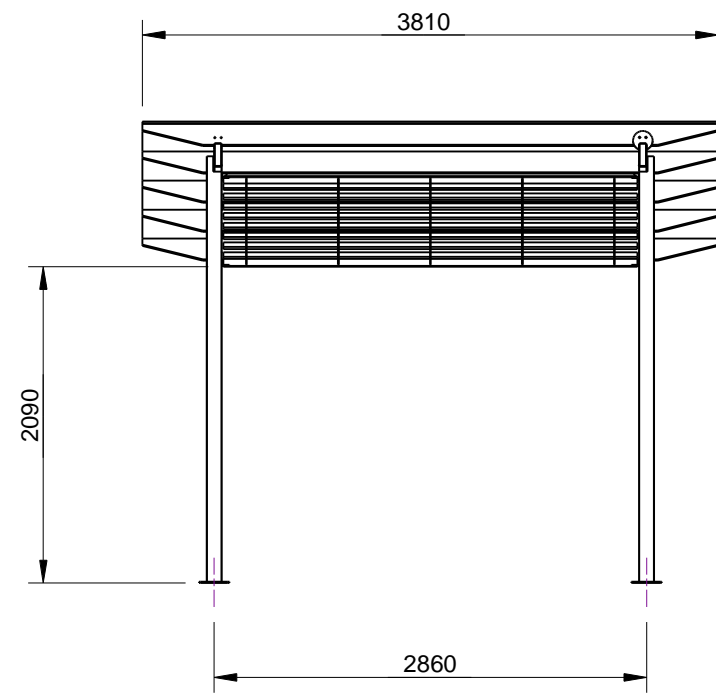
mm unless otherwise stated

FINISH:

Steel - Galvanised with optional powdercoat
Sheeting - Colourbond (optional colours)
Timber - Treated Pine

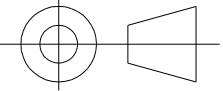
GROUND ATTACHMENT:


Bolt down



Detail A
BOLT DOWN DETAIL
ROOF HIDDEN FOR CLARRITY

REVISION #	DESCRIPTION	BY	DATE	DRAWN	DRAWN DATE	CHECKED	CHECKED DATE	SCALE
1	ORIGINAL DRAWING	SJ	10.4.10	R.CRUGHTON	25.2.14			N/A
2	FULL PRODUCT REVIEW	RBC	25.2.14					
3								
4								
5								





PROVINCIAL SHELTER
SPEC.

FFSB005011

REV. 2

SHEET 1 OF 3