

SPECIFICATION:

MATERIAL:

Main construction - Mild Steel
Sheeting - Colourbond Corrugated BMT 0.42mm 762mm

DIMENSIONS:

mm unless otherwise stated

FINISH:

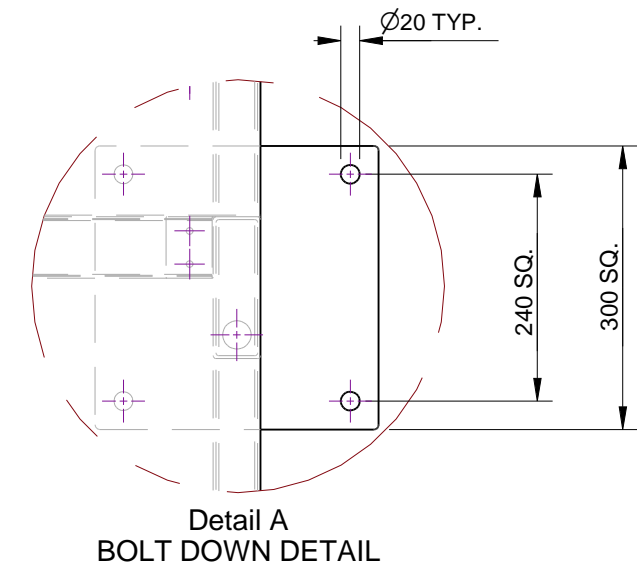
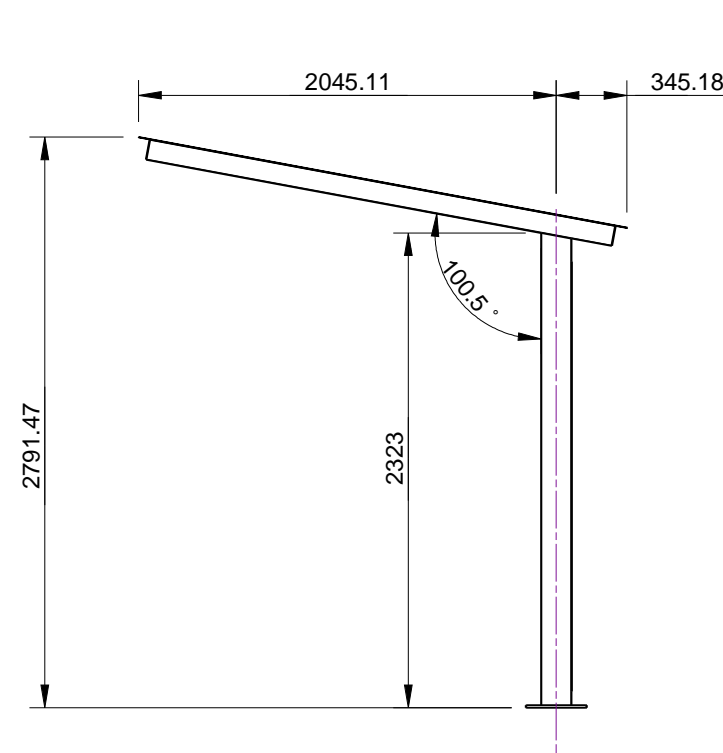
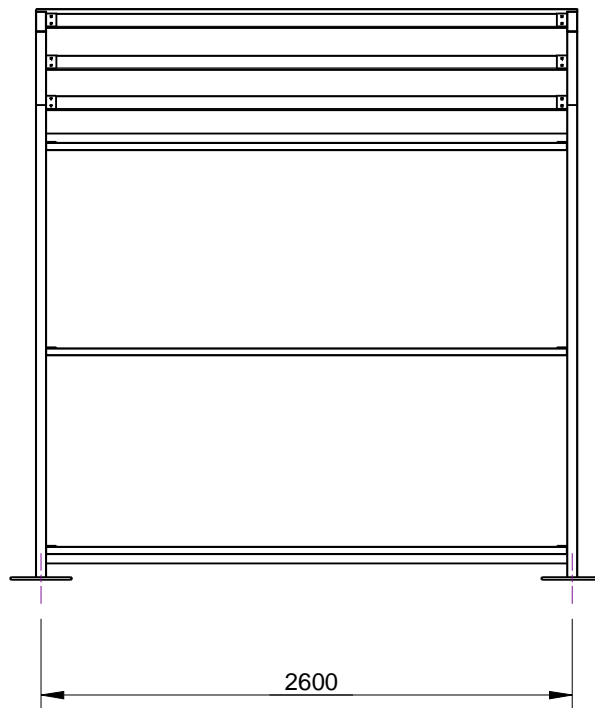
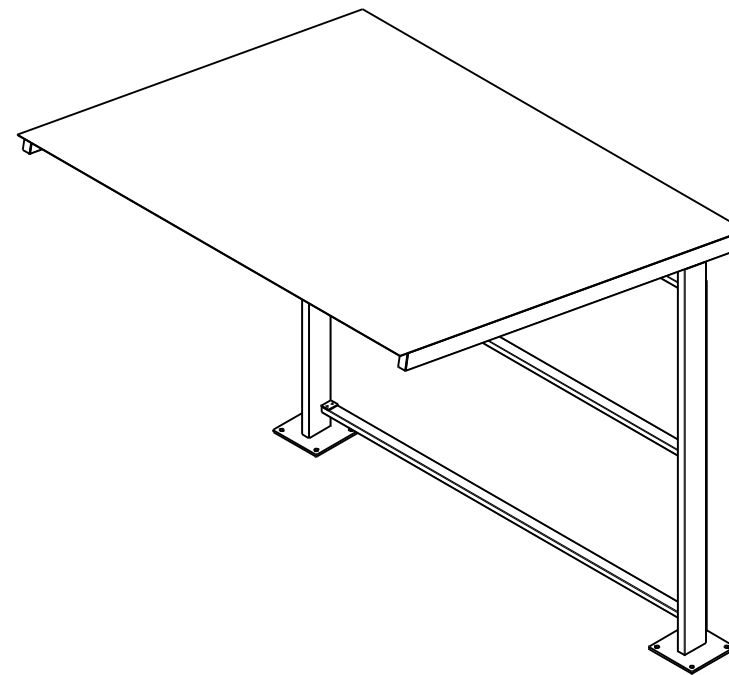
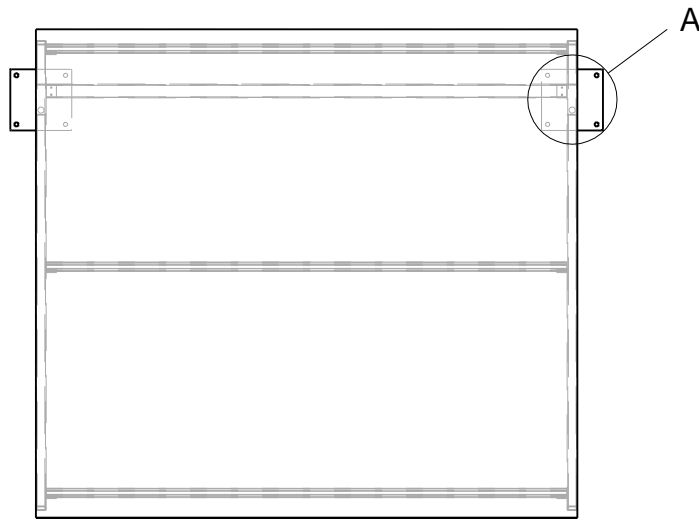
Steel - Galvanised - Colourbond (optional colours)

GROUND ATTACHEMENT:

Bolt down

STRUCTURAL ENGINEERING:

Job No. 090313 - GC Nixon & Associates
Drawing No. S2 Rev A, Dated 17-06-09



| REVISION # | DESCRIPTION | BY | DATE | DRAWN | DRAWN DATE | CHECKED | CHECKED DATE | SCALE | A3 |
|------------|---------------------|-----|---------|------------|------------|---------|--------------|-------|----|
| 1 | ORIGINAL DRAWING | SJ | 14.2.11 | R.CRUGHTON | 11.2.14 | | | N/A | |
| 2 | FULL PRODUCT REVIEW | RBC | 11.2.14 | | | | | | |
| 3 | | | | | | | | | |
| 4 | | | | | | | | | |
| 5 | | | | | | | | | |

CANTILEVER SHELTER 2600mm CENTRES SPEC.

FFSB005001

REV. 2 SHEET 1 OF 3