

Quality
ISO 9001
SAI GLOBAL

SPECIFICATION:

MATERIAL:

Main construction - 304 Stainless steel
(Also available in MS)
Fixings - Stainless steel

DIMENSIONS:

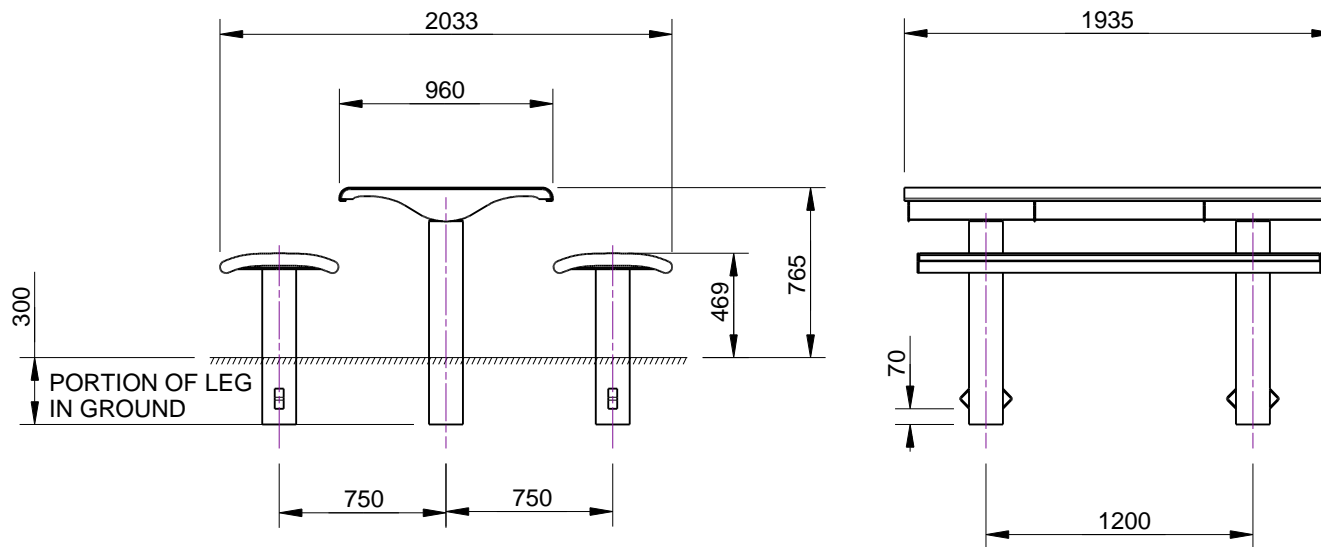
mm unless otherwise stated

FINISH:

No.4 Polished

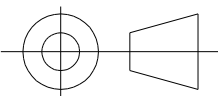
GROUND ATTACHEMENT:

In ground



CONFIDENTIAL

REVISION #	DESCRIPTION	BY	DATE	DRAWN	DRAWN DATE	CHECKED	CHECKED DATE	SCALE		A4
								N/A		
1	ORIGINAL DRAWING	DN	11.11.10	R.CRIGTON	6.2.14					
2	FULL PRODUCT REVIEW	RBC	6.2.14					LYNDARUM SETTING - IN GROUND SPEC.		
3										
4										
5										



FFSC004002

REV.
2

SHEET
1 OF 2