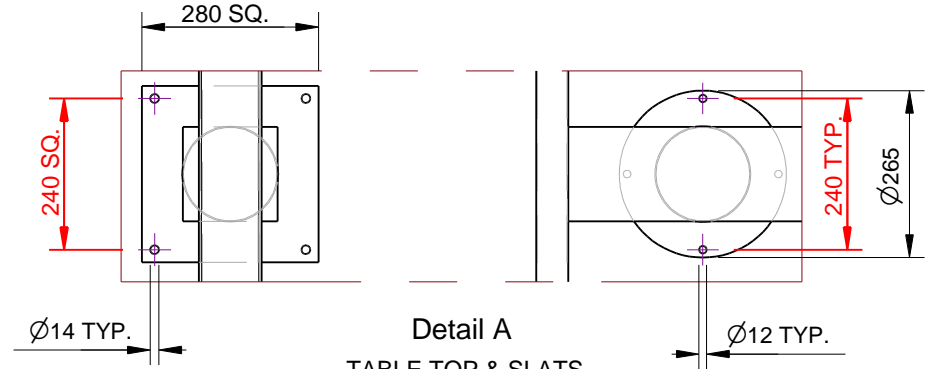
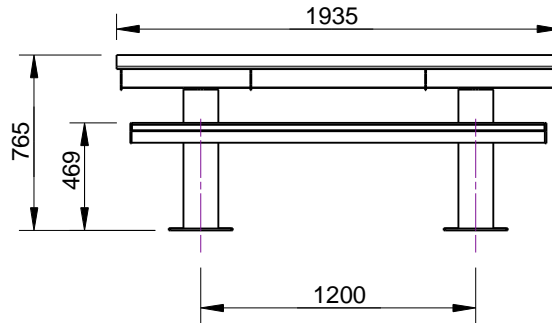
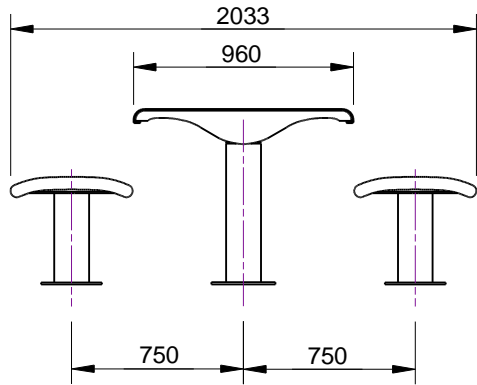


NOTE: Optional square or round feet.



Detail A  
TABLE TOP & SLATS  
REMOVED FOR  
CLARRITY

## SPECIFICATION:

### MATERIAL:

Main construction - 304 Stainless steel  
(Also available in MS)  
Fixings - Stainless steel

### DIMENSIONS:

mm unless otherwise stated

### FINISH:

No.4 Polished

### GROUND ATTACHEMENT:

Bolt down

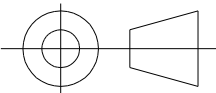


Quality  
ISO 9001



CONFIDENTIAL

REVISION	#	DESCRIPTION	BY	DATE	DRAWN	DRAWN DATE	CHECKED	CHECKED DATE	SCALE	A4
	1	ORIGINAL DRAWING	DN	10.11.10	R.CRIGTON	6.2.14			N/A	
2	FULL PRODUCT REVIEW	RBC	6.2.14							
3										
4										
5										



LYNDARUM SETTING - BOLT DOWN  
SPEC.

FFSC004001

REV.  
2

SHEET  
1 OF 2