

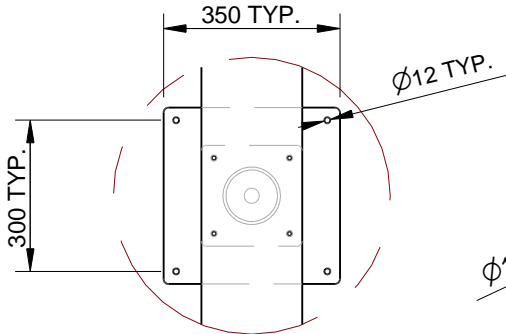
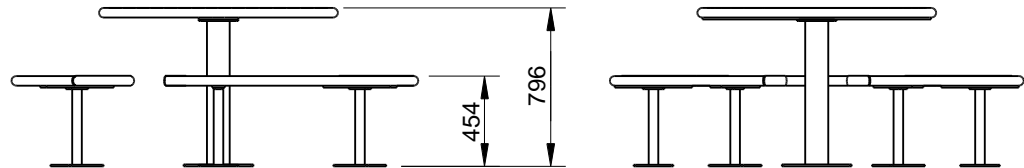
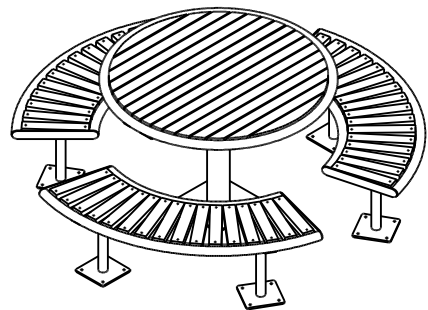
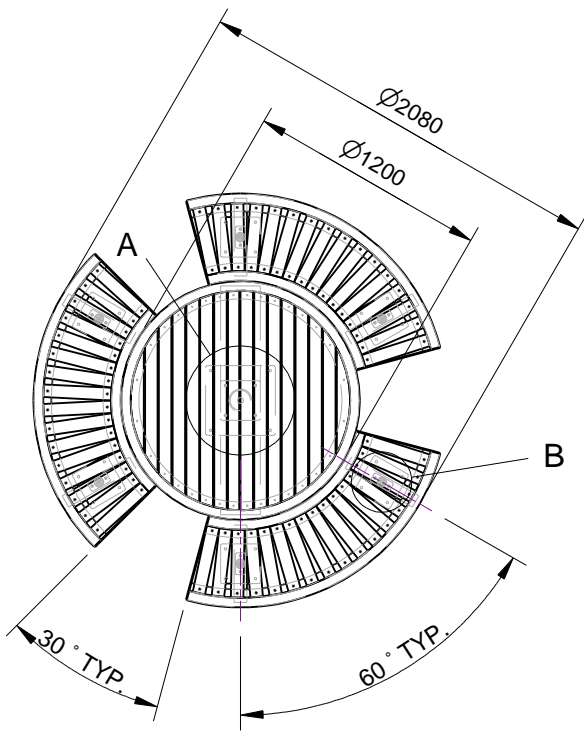
SPECIFICATION:

MATERIALS:
 Mild steel unless stated otherwise
 Slats - Hardwood Timber 63x30mm
 Fixings - Stainless Steel or Galvanised Steel

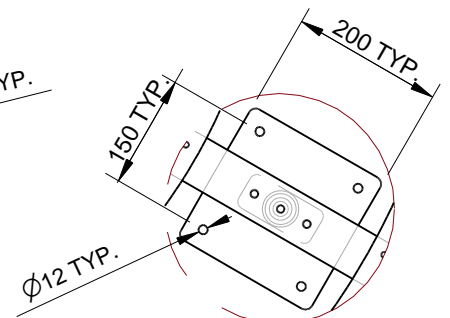
DIMENSIONS:
 mm unless otherwise stated

FINISH:
 Steel - Galvanised and optional Powder Coat
 Timber - Oil Based

GROUND FIXINGS:
 Bolt down



Detail A
 TABLE BOLT DOWN DETAIL
 TIMBER SLATS REMOVED
 FOR CLARRITY

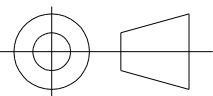


Detail B
 BENCH BOLT DOWN DETAIL
 TIMBER SLATS REMOVED
 FOR CLARRITY

© copyright

CONFIDENTIAL

REVISION #	DESCRIPTION	BY	DATE	DRAWN	DRAWN DATE	CHECKED	CHECKED DATE	SCALE
								A4
1	ORIGINAL DRAWING	RBC	19.11.13	R.CRIGTON	19.11.13			N/A
2								
3								
4								
5								



WOODGROVE CIRCULAR SETTING (1200-2080 OD)
 - BOLT DOWN - SPEC.

FFSB004026

REV. 1 SHEET 1 OF 2