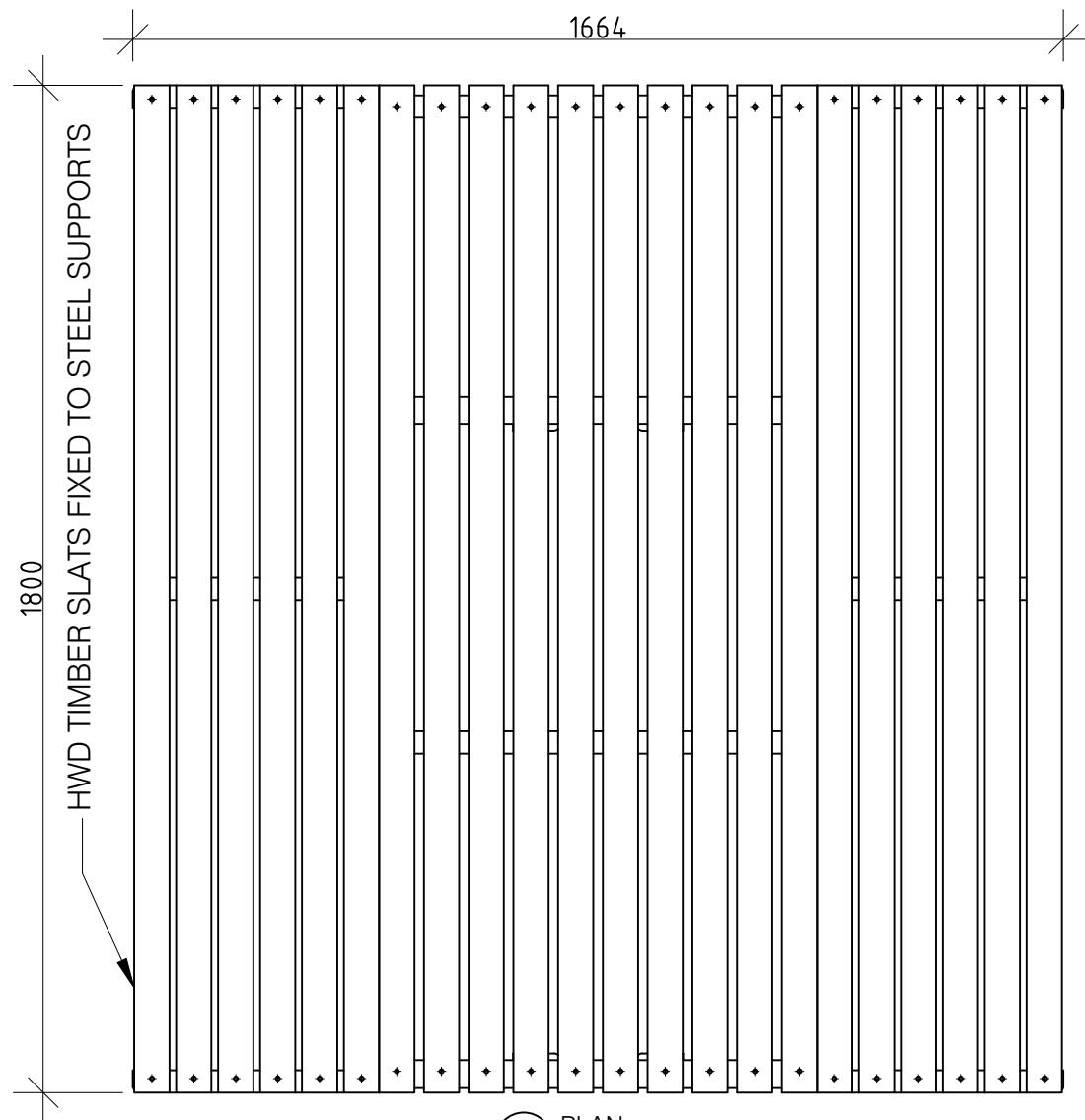


ALL DIMENSIONS IN MILLIMETRES - DO NOT SCALE

CIVIC SETTING SERIES

FFSB004018 1800mm PICNIC SETTING - BOLT DOWN (WCA ONE END)

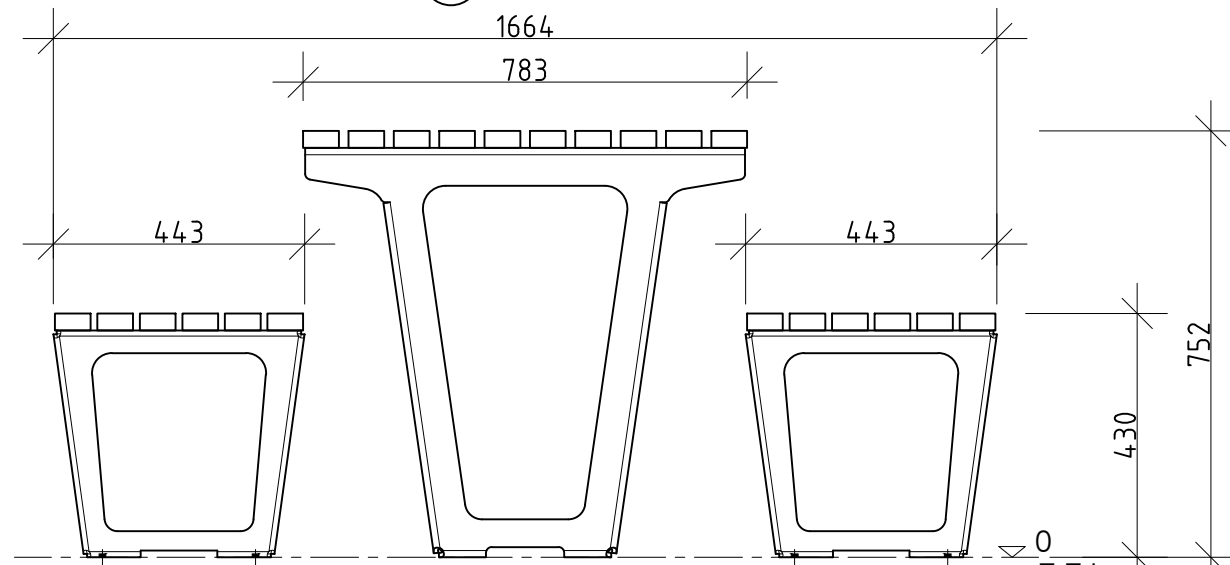
Slats available in:
Hardwood Timber (FFSB004018)
Aluminium (FFSB004018A)



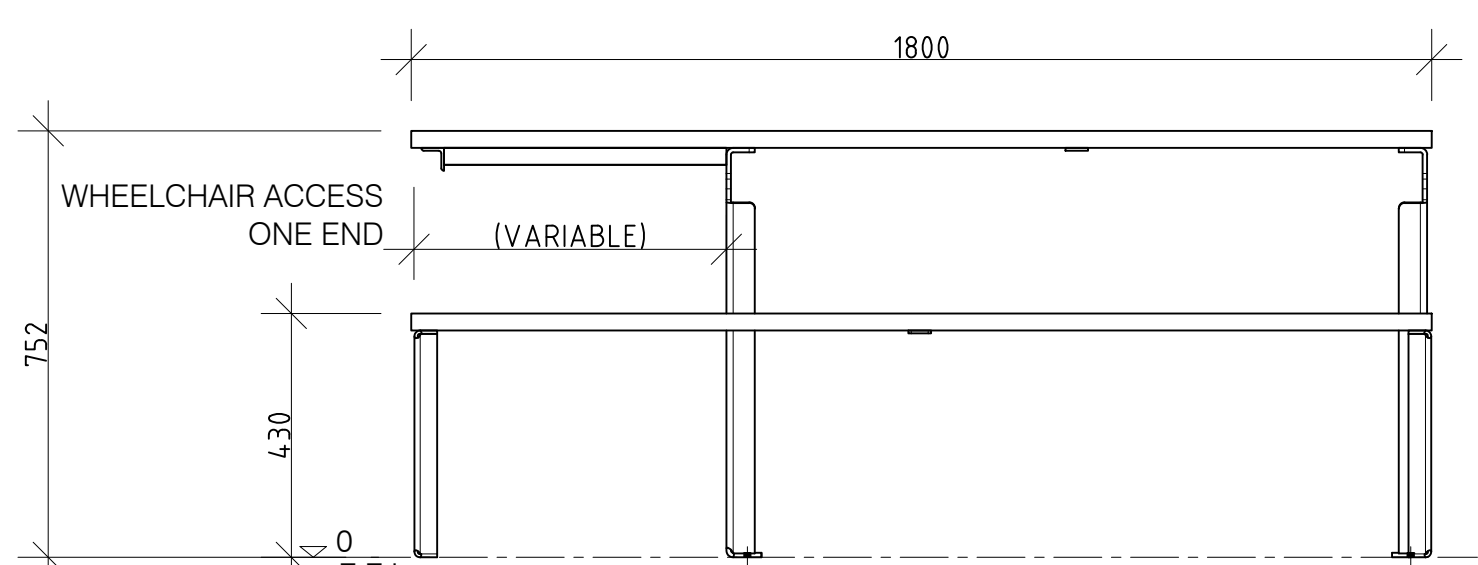
1 PLAN
1:15 @ A3



4 PERSPECTIVE
N.T.S.

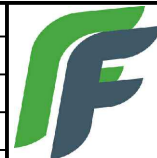


2 END ELEVATION
1:15 @ A3



3 FRONT ELEVATION
1:15 @ A3

REVISION	DATE:	DRAWN BY:
6		
5		
4		
3		
2		
1		



© FURPHY FOUNDRY PTY LTD
 THIS DOCUMENT IS AND SHALL REMAIN THE PROPERTY OF FURPHY FOUNDRY. UNAUTHORISED USE OF THIS DOCUMENT IN ANY FORM IS PROHIBITED.



Furphy Foundry Pty Ltd
 A.B.N. 24 007 195 913
 21 Drummond Rd,
 Shepparton VIC 3630
 PH: (03) 5831 2777
 FAX: (03) 5831 2681
 www.furphyfoundry.com.au
 sales@furphyfoundry.com.au

CLIENT NAME FURPHY FOUNDRY	PROJECT No. FFSB004018	PAGE A3
PROJECT CIVIC PICNIC SETTING - BOLT DOWN (WCA ONE END)	DATE: 08-05-19	DRAWN PS
DRAWING TITLE PRELIMINARY	DRAWING No. 045	SCALE NOTED
	SHEET No. 001	REV. 1