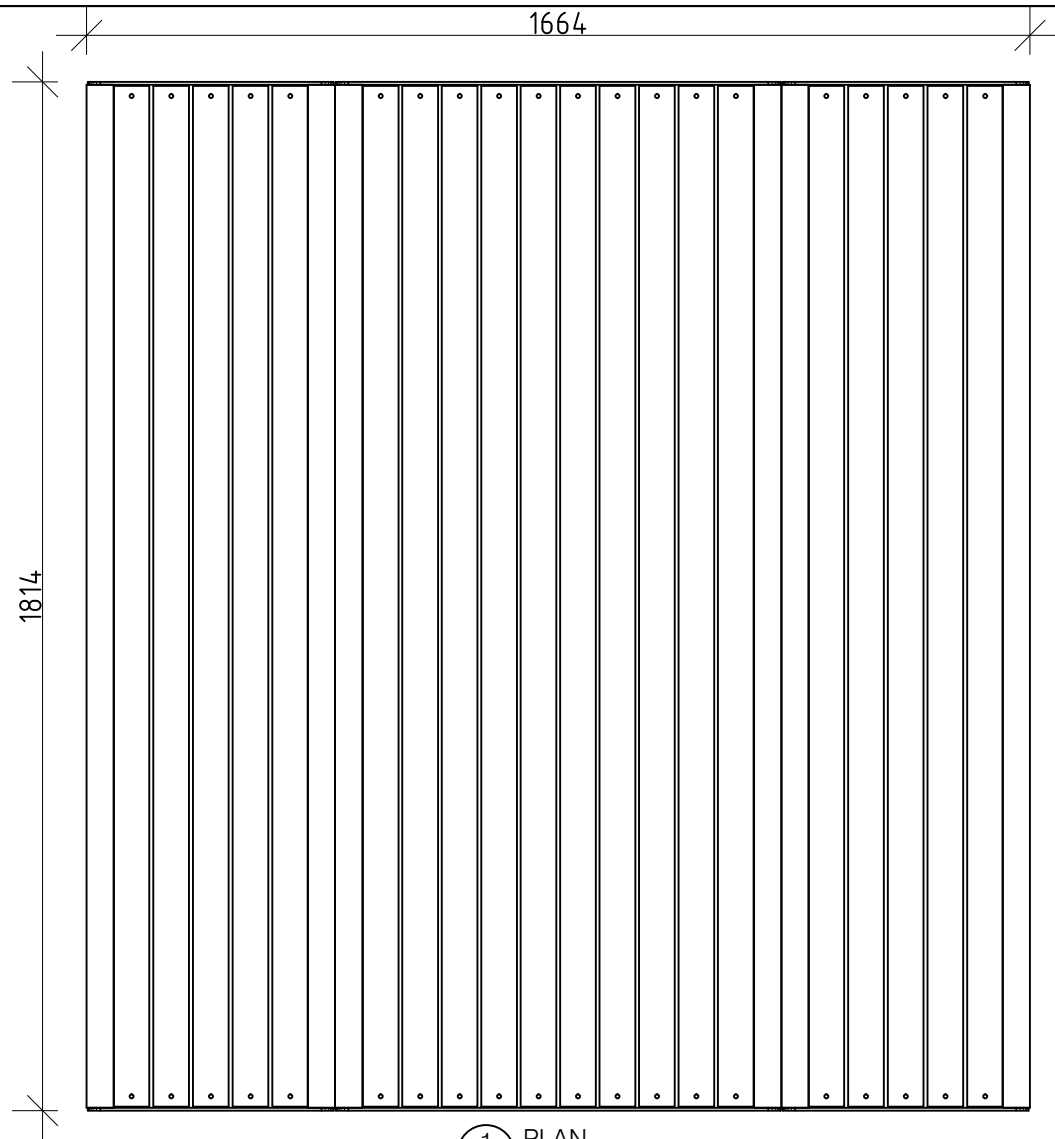


ALL DIMENSIONS IN MILLIMETRES - DO NOT SCALE

WOODGROVE SETTING SERIES

FFSB004004 1800mm PICNIC SETTING - BOLT DOWN

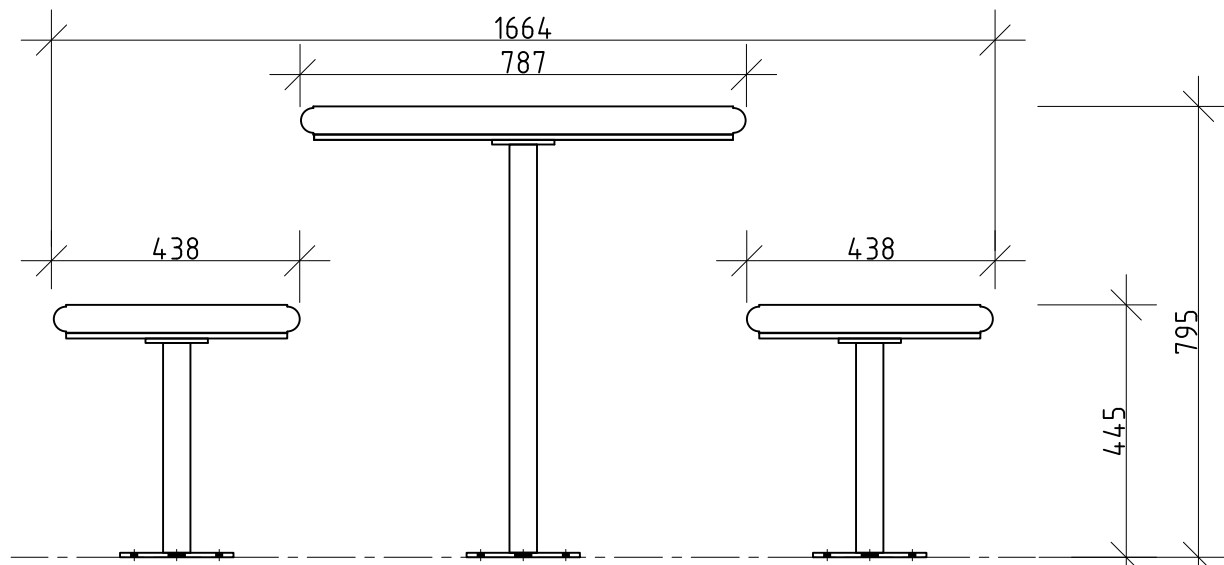


1 PLAN
1:15 @ A3



Slats available in:
Hardwood Timber (FFSB004004)
Aluminium (FFSB004004A)

4 PERSPECTIVE
N.T.S.



2 END ELEVATION
1:15 @ A3



3 FRONT ELEVATION
1:15 @ A3

REVISION	DATE:	DRAWN BY:
6		
5		
4		
3		
2		
1		



© FURPHY FOUNDRY PTY LTD
 THIS DOCUMENT IS AND SHALL REMAIN THE PROPERTY OF
 FURPHY FOUNDRY. UNAUTHORISED USE OF THIS DOCUMENT
 IN ANY FORM IS PROHIBITED.



Furphy Foundry Pty Ltd PH: (03) 5831 2777
 A.B.N. 24 007 195 913 FAX: (03) 5831 2681
 21 Drummond Rd, www.furphyfoundry.com.au
 Shepparton VIC 3630 sales@furphyfoundry.com.au

CLIENT NAME FURPHY FOUNDRY	PROJECT No. FFSB004004	PAGE A3
PROJECT WOODGROVE PICNIC SETTING - BOLT DOWN	DATE: 21-03-19	DRAWN PS
DRAWING TITLE PRELIMINARY	DRAWING No. 013	SCALE NOTED
	SHEET No. 001	REV. 1