



Quality  
ISO 9001  
SAI GLOBAL

## SPECIFICATION:

### MATERIAL:

Mild steel unless otherwise stated  
Slats - Hardwood timber 63x30mm

### DIMENSIONS:

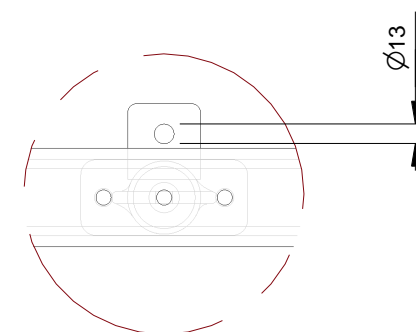
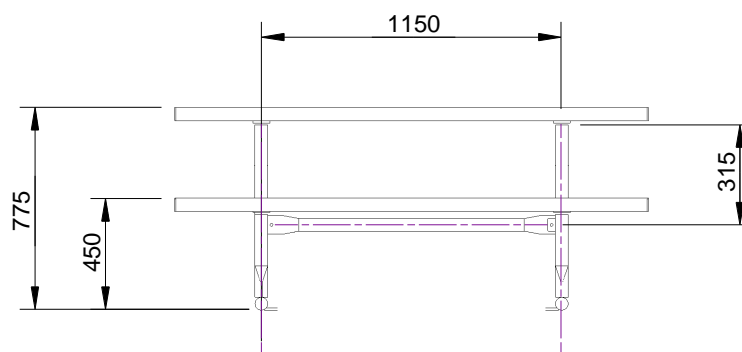
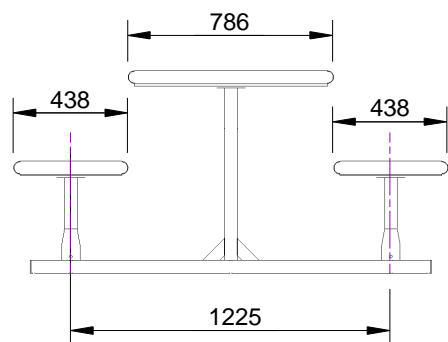
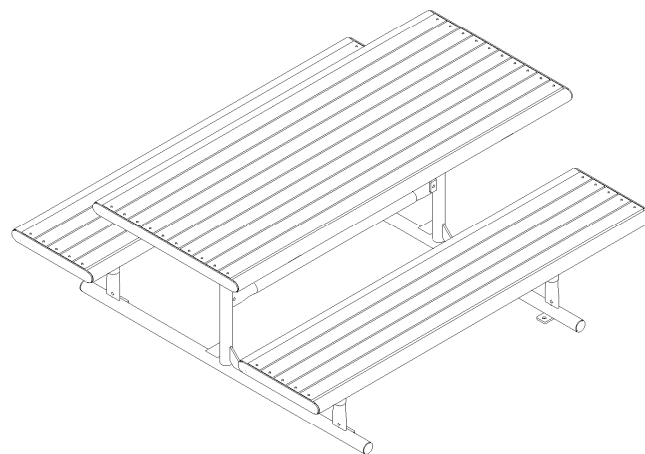
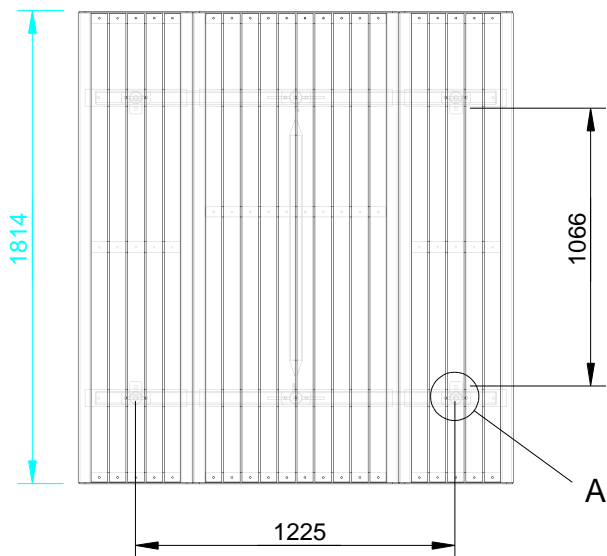
All in mm unless otherwise stated

### FINISH:

Steel - Galvanised and optional Powder Coat  
Timber - Oil Based

### GROUND FIXINGS:

Bolt down

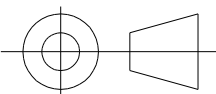


DETAIL A  
BOLT DOWN DETAIL  
TIMBER SLATS REMOVED  
FOR CLARRITY



CONFIDENTIAL

REVISION	#	DESCRIPTION	BY	DATE	DRAWN	DRAWN DATE	CHECKED	CHECKED DATE	SCALE	A4
	1	ORIGINAL DRAWING	DN	24.8.10	R.CRIGTON	6.11.13			N/A	
2	FULL PRODUCT REVIEW	RBC	6.11.13							
3										
4										
5										



WOODGROVE SETTING - ALL IN ONE SPEC.

FFSB004003

REV.  
2

SHEET  
1 OF 4