

SPECIFICATION:

MATERIALS:

Mild steel unless stated otherwise
 Slats - Hardwood Timber 63x30mm
 Fixings - Stainless Steel or Galvanised Steel

DIMENSIONS:

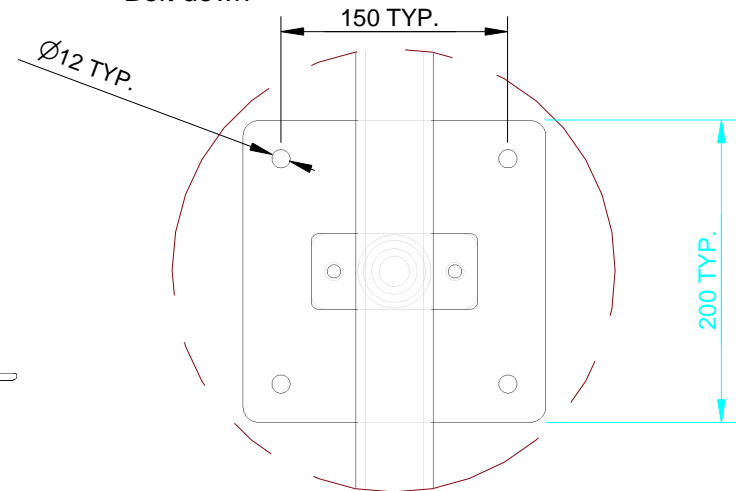
mm unless otherwise stated

FINISH:

Steel - Galvanised and optional Powder Coat
 Timber - Oil Based

GROUND FIXINGS:

Bolt down

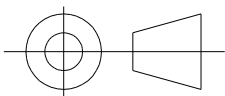


Detail A
 TYPICAL BOLT DOWN DETAIL
 TIMBER SLATS REMOVED
 FOR CLARITY



© copyright
 CONFIDENTIAL

REVISION #	DESCRIPTION	BY	DATE	DRAWN	DRAWN DATE	CHECKED	CHECKED DATE	SCALE	A4
								N/A	
1	ORIGINAL DRAWING	DN	31.8.10	R.CRIGTON	13.11.13				
2	FULL PRODUCT REVIEW	RBC	13.11.13						
3									
4									
5									



WOODGROVE SQUARE SETTING - BOLT DOWN SPEC.

FFSB004002

REV. 2

SHEET 1 OF 2