



Quality
ISO 9001
SAI GLOBAL

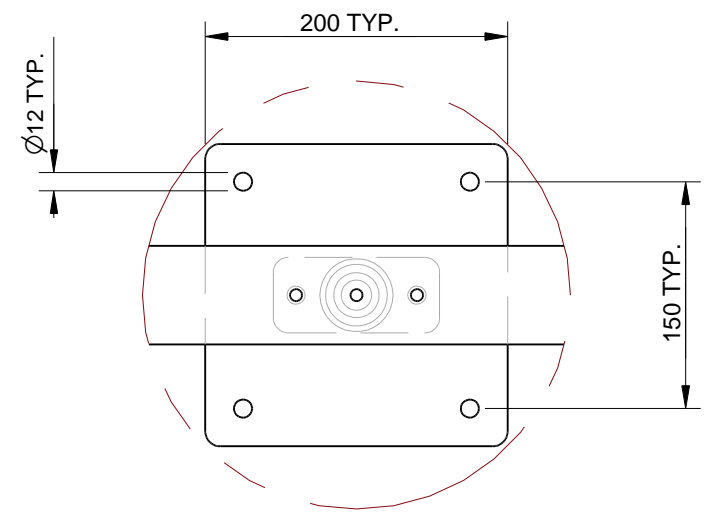
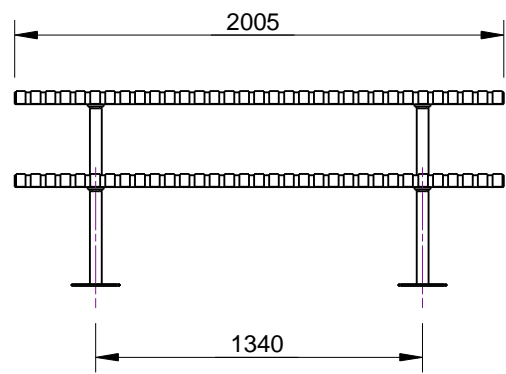
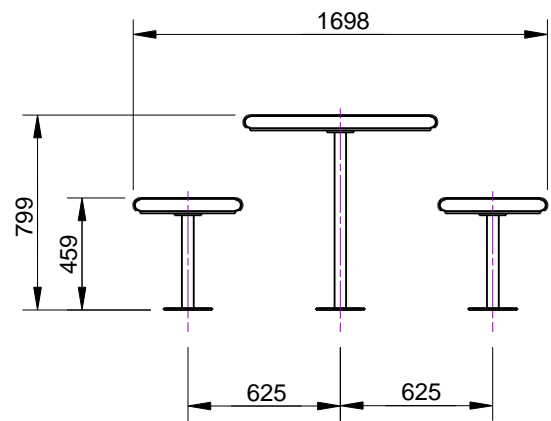
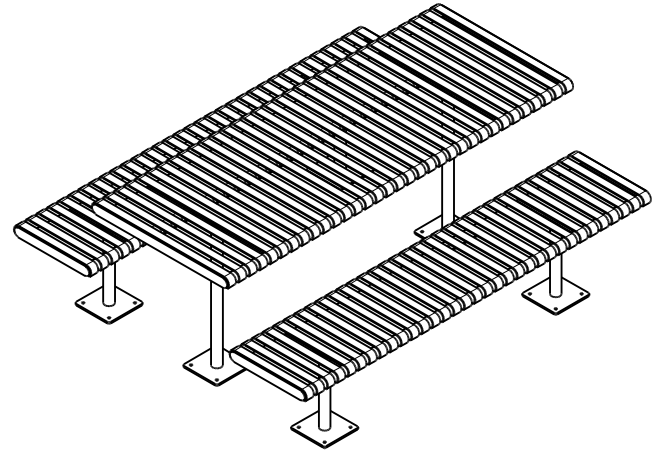
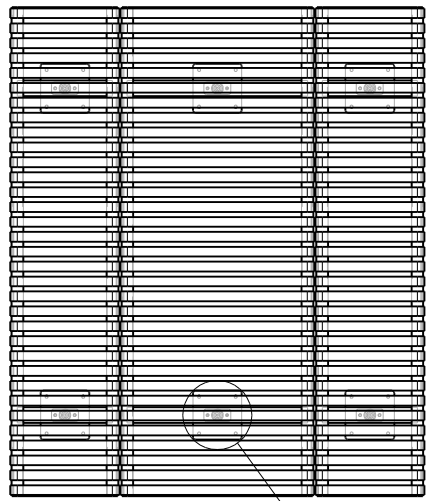
SPECIFICATION:

Material:
Frame & Slats: Mild Steel Construction

Dimensions:
All in mm unless otherwise stated

Finish:
Steel - Galvanised and optional Powder Coat

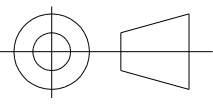
Ground Fixings:
Bolt Down



DETAIL A
SLATS REMOVED
FOR CLARITY

© copyright
CONFIDENTIAL

REVISION #	DESCRIPTION	BY	DATE	DRAWN	DRAWN DATE	CHECKED	CHECKED DATE	SCALE	A4
2	FULL PRODUCT REVIEW	RBC	12.12.13						
3									
4									
5									



STEEL SLATTED SETTING - BOLT DOWN SPEC.

FFSB004001

REV. 2

SHEET 1 OF 2