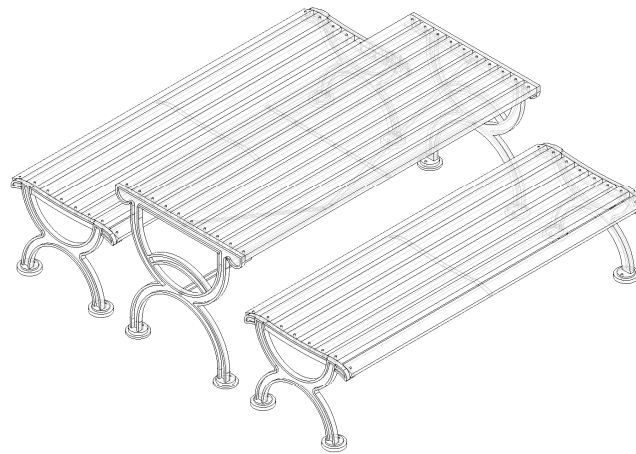
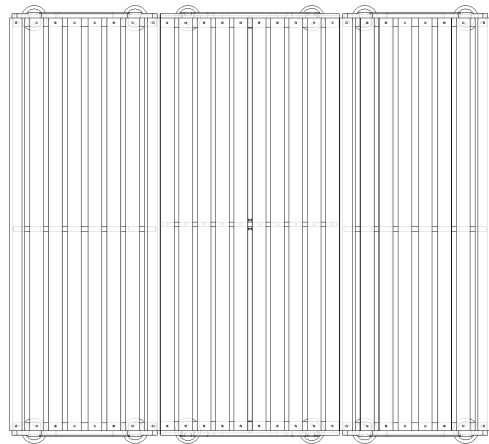




Quality  
ISO 9001  
SAI GLOBAL



## SPECIFICATION:

### MATERIALS:

Main construction - Cast Aluminium  
Slats - Harwood Timber  
Pipes & Brace - Mild Steel  
Strap - Stainless Steel

### DIMENSIONS:

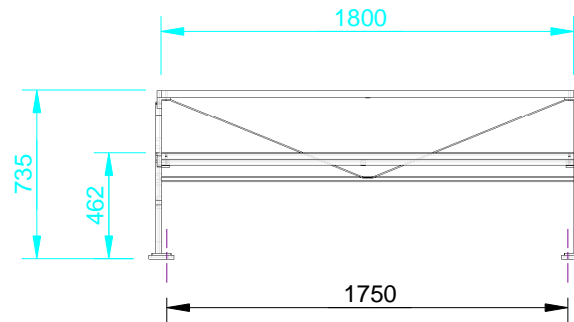
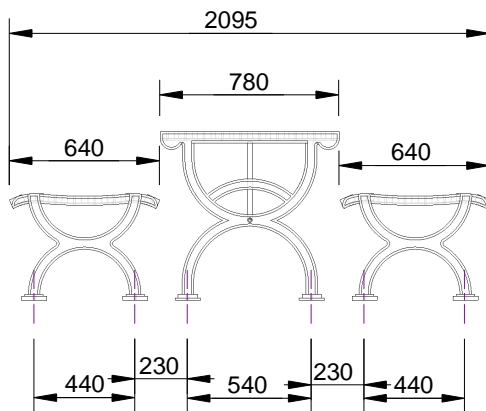
mm unless otherwise stated

### FINISH:

Castings - Milled or Powder coat (optional)  
Timbers - Oil Based  
Pipes & Brace - Powder coat

### GROUND FIXINGS:

Bolt down



copyright

CONFIDENTIAL

REVISION	#	DESCRIPTION	BY	DATE	DRAWN	DRAWN DATE	CHECKED	CHECKED DATE	SCALE	A4
	1		ORIGINAL DRAWING	RBC	9.12.13	R.CRIGTON	9.12.13			
2							PLAZA SETTING SPEC.			
3										
4							FFSA004018	REV. 1	SHEET 1 OF 2	
5										