



Quality
ISO 9001
SAI GLOBAL

SPECIFICATION:

MATERIALS:

Table & Bench Ends - Recycled Cast Aluminium
Timbers - Hardwood Timber
Floor Mount Brackets - Galvanised Mild steel
Fixings - Stainless Steel

DIMENSIONS:

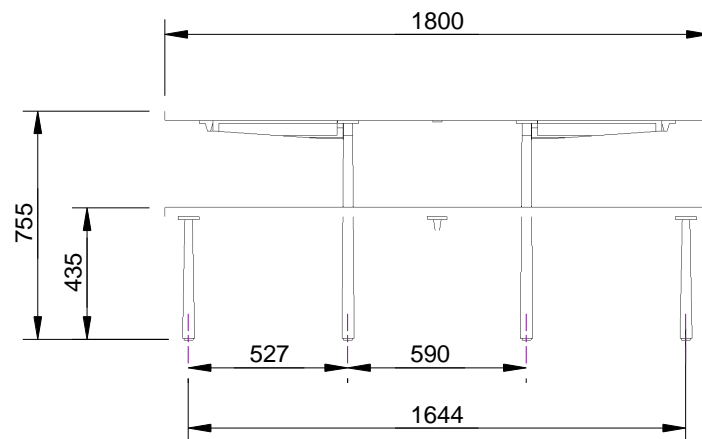
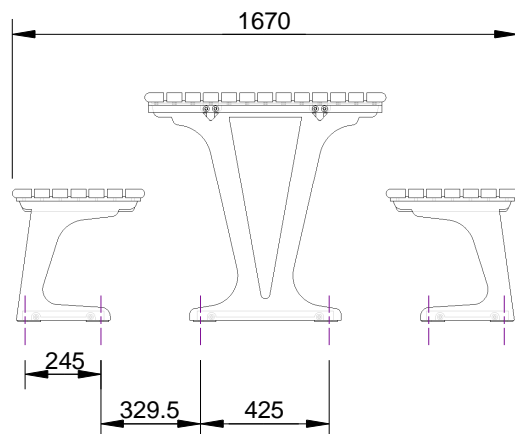
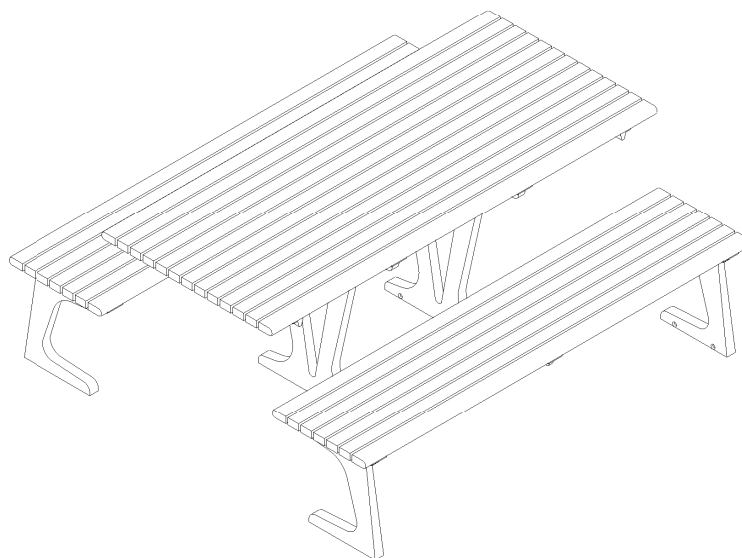
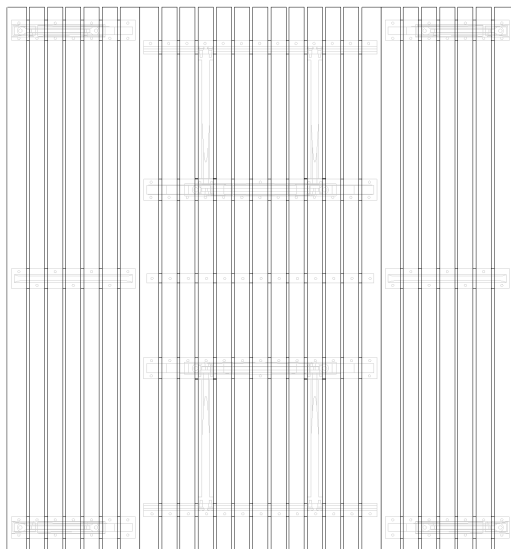
mm unless otherwise stated

FINISH:

Castings - Mill Finish
Timber - Oil Based

WHEEL CHAIR ACCESS:

Both Ends



copyright

CONFIDENTIAL

REVISION	#	DESCRIPTION	BY	DATE	DRAWN	DRAWN DATE	CHECKED	CHECKED DATE	SCALE	A4
	1	1	ORIGINAL DRAWING	RBC	9.11.13	R.CRIGTON	9.11.13			
2	2						FULCRUM SETTING WCA - BOTH ENDS SPEC.			
3	3									
4	4						FFSA004016		REV. 1	SHEET 1 OF 2
5	5									

