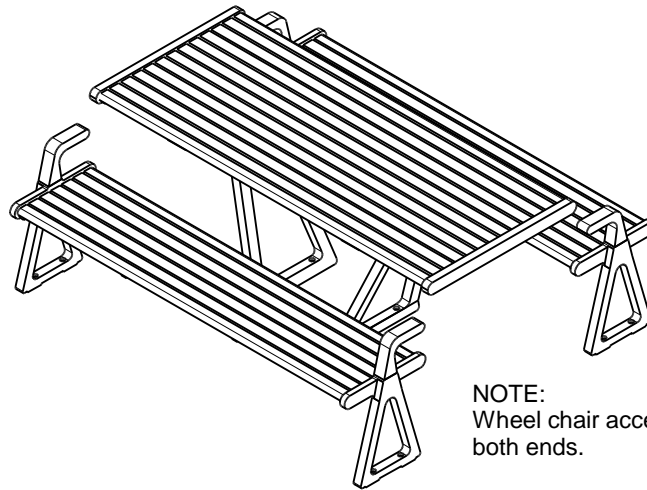
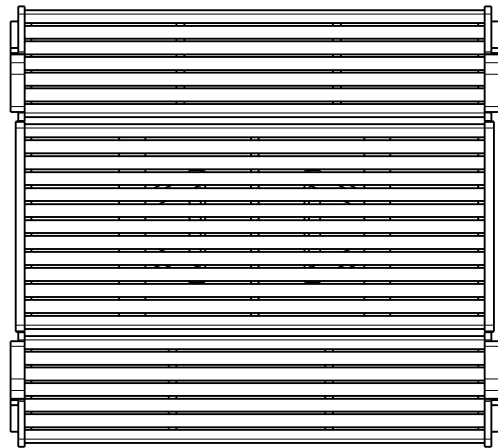




Quality  
ISO 9001  
SAI GLOBAL



NOTE:  
Wheel chair access  
both ends.

### SPECIFICATION:

#### MATERIALS:

Main construction - Cast Aluminium  
Slats - Harwood Timber  
Strap - Stainless Steel

#### DIMENSIONS:

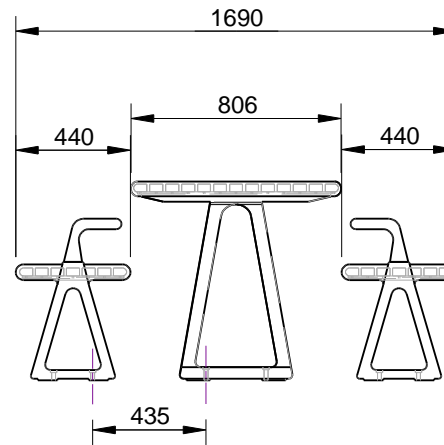
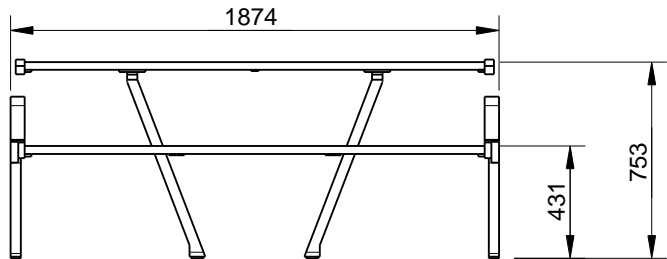
mm unless otherwise stated

#### FINISH:

Castings - Milled or Powder coat (optional)  
Timbers - Oil Based

#### GROUND FIXINGS:

Bolt down



CONFIDENTIAL

REVISION	#	DESCRIPTION	BY	DATE	DRAWN	DRAWN DATE	CHECKED	CHECKED DATE	SCALE	A4
	1	ORIGINAL DRAWING	DN	23.10.10	R.CRIGTON	26.6.14			N/A	
2	FULL PRODUCT REVIEW	RBC	26.6.14							
3										
4										
5										
								DELTA SETTING (ARM RESTS) SPEC		
						FFSA004005		REV. 2	SHEET 1 OF 2	