

**SPECIFICATION:**

**MATERIALS:**

Seat Ends - Recycled Cast aluminium  
 Timbers - Hardwood Timber  
 Straps - Grade 304 Stainless steel  
 Fixings - Grade 304 Stainless steel

**DIMENSIONS:**

mm unless otherwise stated

**FINISH:**

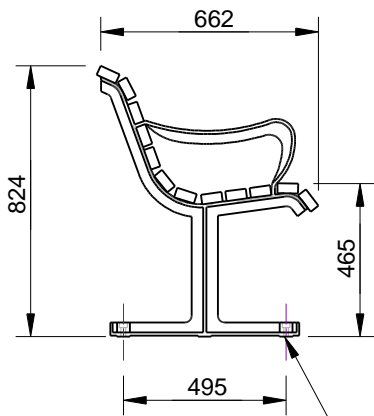
Castings - Powder Coat or Mill Finish  
 Strap - Linished  
 Timber - Oil Based

**GROUND FIXING:**

Bolt down

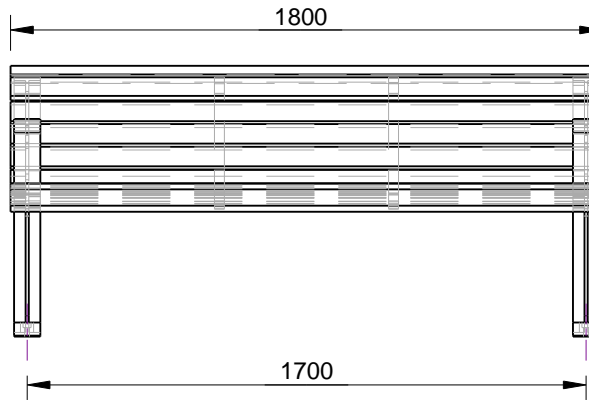


Quality  
 ISO 9001  
 SAI GLOBAL



**BOLT DOWN DETAIL**

Ø14 THRU  
 Ø24 C.B. 16 DEEP  
 4 LOCATIONS



CONFIDENTIAL

REVISION #	DESCRIPTION	BY	DATE	DRAWN	DRAWN DATE	CHECKED	CHECKED DATE	SCALE		A4
								N/A		
1	ORIGINAL DRAWING	DN	16.5.11	R.CRIGTON	4.12.13					
2	FULL PRODUCT REVIEW	RBC	4.12.13							
3										
4										
5										
							<b>FORESHORE SEAT SPEC.</b>			
						FFSA002025	REV. 2	SHEET 1 OF 3		