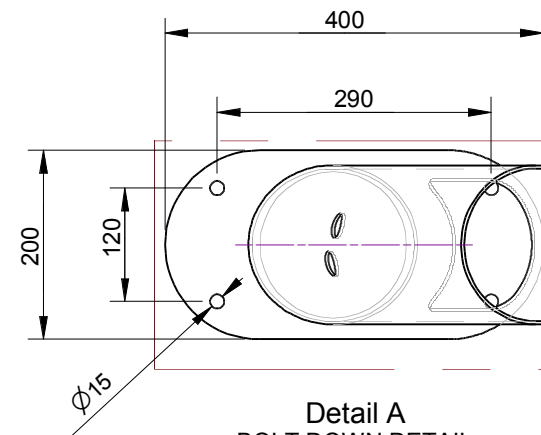
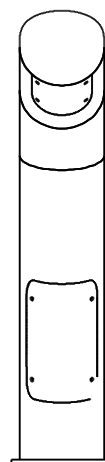
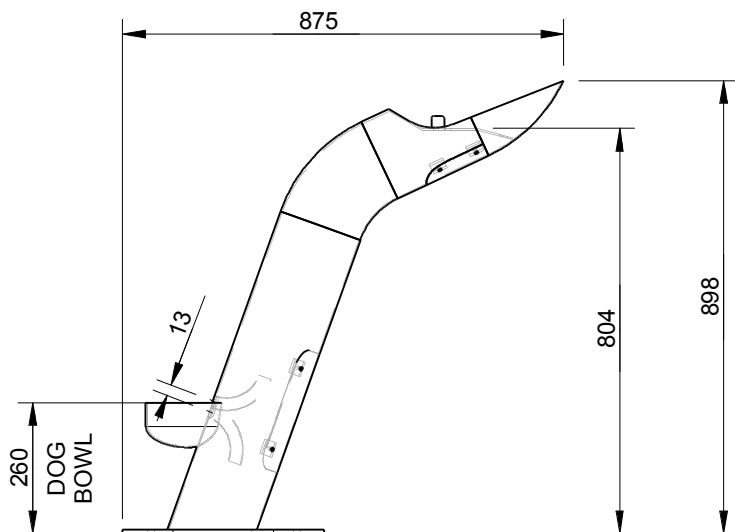


SPECIFICATION:

MATERIALS:
Body: 316 SS.
Fasteners: SS.

DIMENSIONS:
mm unless otherwise stated

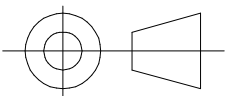
FINISH:
Polished



Detail A
BOLT DOWN DETAIL
OTHER ITEMS REMOVED
FOR CLARRITY

© copyright
CONFIDENTIAL

REVISION	#	DESCRIPTION	BY	DATE	DRAWN	DRAWN DATE	CHECKED	CHECKED DATE	SCALE	A4
	1		ORIGINAL DRAWING	RBC	14.11.13	R.CRIGTON	14.11.13			
2										
3										
4										
5										



FORESHORE DRINKING FOUNTAIN
SPEC.

FFSC009001

REV. 1 SHEET 1 OF 2