



Quality  
ISO 9001  
SAI GLOBAL

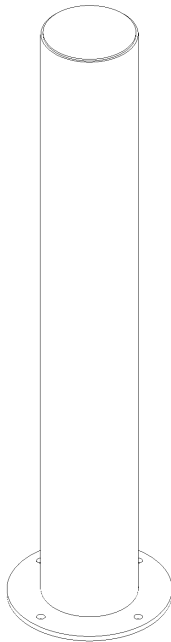
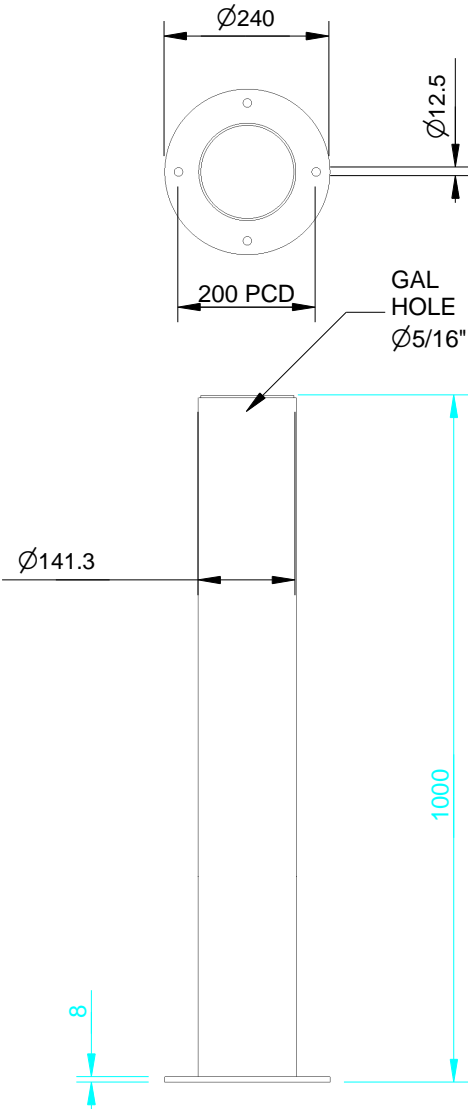
# SPECIFICATION:

**Material:**  
Mild steel

**Dimensions:**  
All in mm unless otherwise stated

**Finish:**  
Steel - Galvanised mild steel & optional powder coat

**Ground Fixings:**  
Bolt down



CONFIDENTIAL

REVISION #	DESCRIPTION	BY	DATE	DRAWN	DRAWN DATE	CHECKED	CHECKED DATE	SCALE	A4
								N/A	
1	ORIGINAL DRAWING	SJ	11.6.10	R.CRIGTON	19.12.13				
2	FULL PRODUCT REVIEW	RBC	19.12.13						
3									
4									
5									
						BARRIER BOLLARD (140mm) - BOLT DOWN SPEC.			
						FFSB008019		REV. 2	SHEET 1 OF 2

