



Quality
ISO 9001
SAI GLOBAL

SPECIFICATION:

Material:

Top - Recycled aluminium
Column & base - Mild steel

Dimensions:

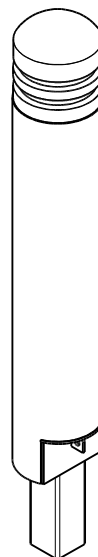
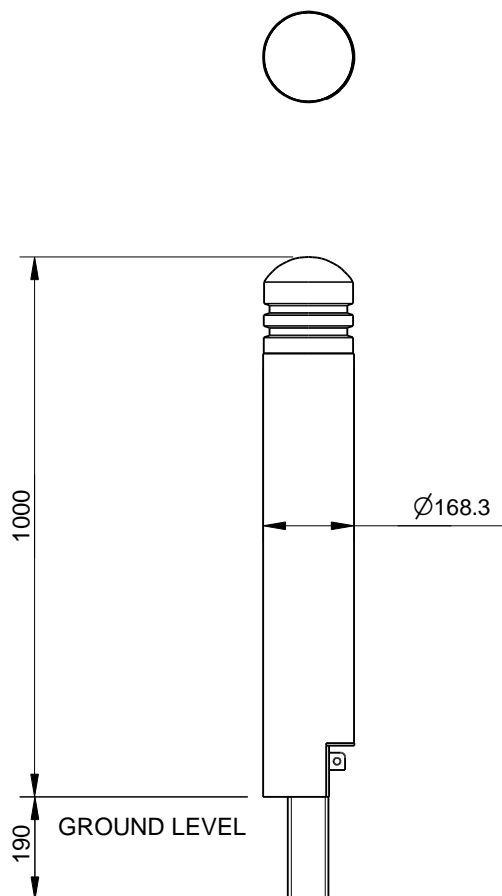
All in mm unless otherwise stated

Finish:

Steel - Galvanised mild steel & optional powder coat

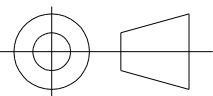
Ground Fixings:

Removable.
Attaches to in ground component (FFSB008036)



CONFIDENTIAL

REVISION #	DESCRIPTION	BY	DATE	DRAWN	DRAWN DATE	CHECKED	CHECKED DATE	SCALE	A4
1	ORIGINAL DRAWING	RBC	18.12.13	R.CRIGTON	18.12.13			N/A	
2									
3									
4									
5									



B11 BOLLARD - REMOVABLE
SPEC.

FFSB008006

REV.
1

SHEET
1 OF 3